

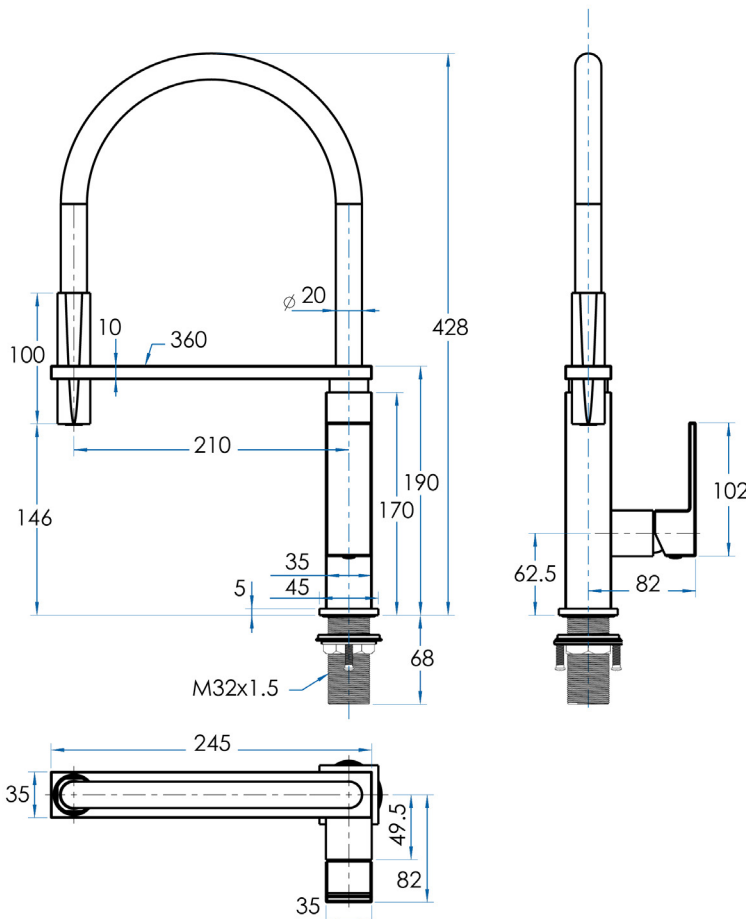
# CHEVRON

Pull Down Sink Mixer Brushed Nickel with Black Hose

**5**  
YEAR  
WARRANTY



**WaterMark**  
AS/NZS 3718:2005  
WMK25708



## SPECIFICATIONS

<b>Water Consumption</b>	WELS 5 Star, 6 litres per minute
<b>Material</b>	Solid Brass Construction
<b>Finish</b>	Brushed Nickel finish and Black Hose
<b>Includes</b>	x1 Tap, x2 300mm flexi tails and fixing kit
<b>Code</b>	130078-SP
<b>Warranty</b>	5 Year ceramic disc and parts only: 1 Year Labour

## CASA LUSO

Due to our policy of continuous development, all designs and measurements are intended only as a guide and are subject to change without notice. Being hand made products they are subject to a size variance E&OE. This brochure is representative of the actual products at time of printing. Please confirm all particulars before purchase. Casa Lusso recommends having the product on site before commencing rough in.

Available at

**hb** Highgrove Bathrooms  
[www.highgrovebathrooms.com.au](http://www.highgrovebathrooms.com.au)