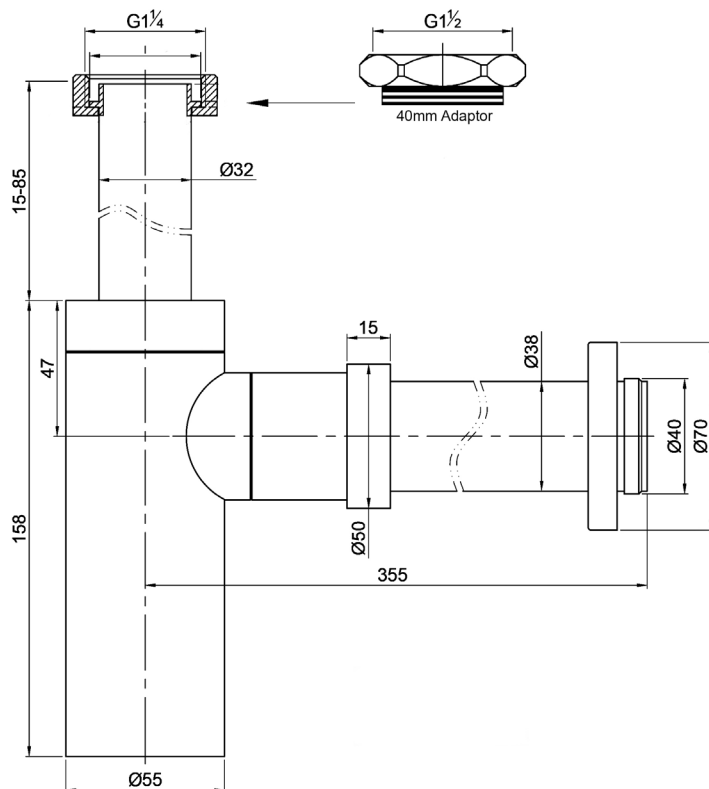


SPIN

Bottle Trap Chrome

5
YEAR
WARRANTY



WaterMark
WMK26021
AS1589AIFL
ApprovalMark

SPECIFICATIONS

Features	Australian Standards Watermark Approved High Quality Chrome Plated Brass Construction
Installation	Adjustable height and width for easy installation Standard 32/40mm connection
Code	A186-E-CH
Warranty	5 year replacement product or parts

CASA LUSO

Due to our policy of continuous development, all designs and measurements are intended only as a guide and are subject to change without notice. Being hand made products they are subject to a size variance E&OE. This brochure is representative of the actual products at time of printing. Please confirm all particulars before purchase. Casa Lusso recommends having the product on site before commencing rough in.

Available at

hb Highgrove Bathrooms
www.highgrovebathrooms.com.au