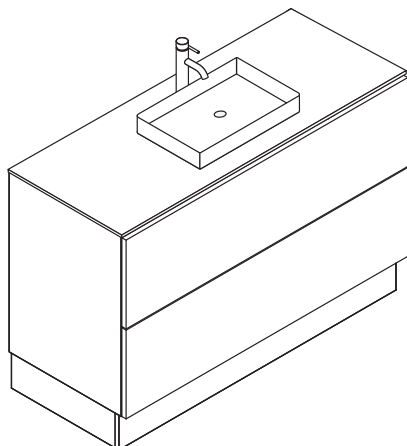


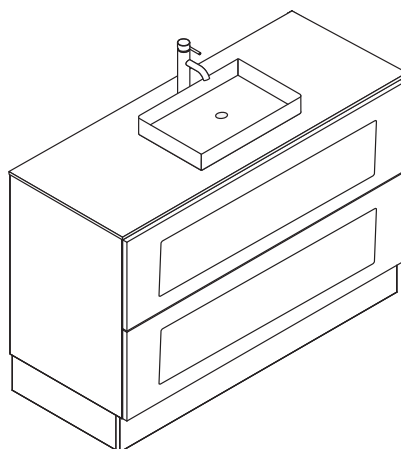
Drawer Front Installation Instructions

For FCAB-1200 Floor Mount Vanities

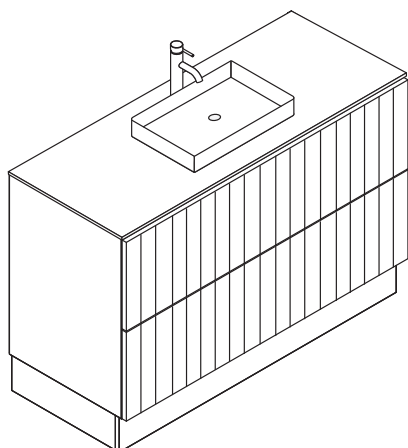
Congratulations on the purchase of your new Casa Lusso Vanity. We hope you and your family enjoy your new product and consider us for any future projects. Casa Lusso products have been manufactured under the highest standards of quality and workmanship.



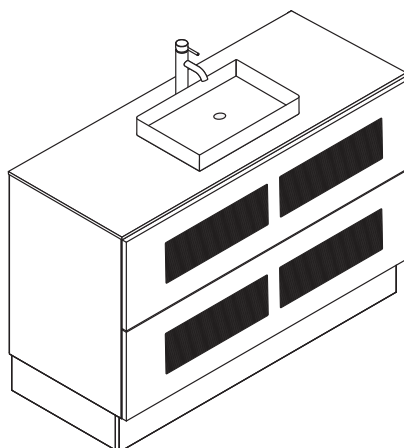
eden



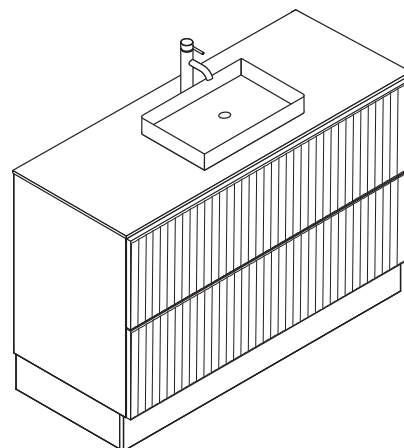
BOSTON



VENICE



BEECHMONT



SWELL

GENERAL INFORMATION

The warranty will not apply if:

- The product has been damaged by improper use;
- The product has not been used in accordance with any applicable instruction guide;
- The purchaser has attempted to modify or repair the product;
- The purchaser has failed to observe the cleaning and maintenance guidelines;

Important:

- Take Care While Transporting and Handling Goods.
- This product should be installed by a qualified, licensed Tradesperson.

To tradesperson: Please ensure a copy of the installation instructions is left with the end user for future reference.

PRIOR TO INSTALLATION

Ensure drawer front/s are inspected fully prior to installation. If damage has occurred, or a visible defect exists, do not proceed with installation and advise supplier immediately. Warranty will be void if product is installed.

FEATURES

Material: Moisture resistant 2 pac matte white

Installation: Floor Mount

Includes: 2 x drawer fronts only.

Premium Warranty (Domestic Use) :
5 year replacement product and parts:
1 year labour

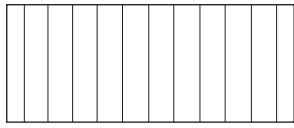


FAILURE TO COMPLY WITH ANY OF THE ABOVE INSTRUCTIONS WILL VOID ALL WARRANTIES

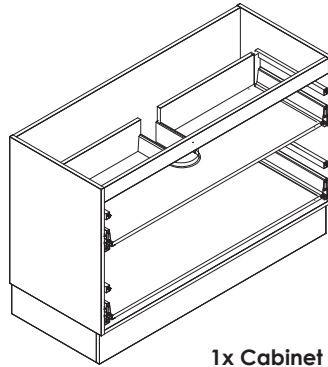
Drawer Front Installation Instructions

For FCAB-1200 Floor Mount Vanities

PRODUCT CONTENTS



2 x Drawer Fronts



1x Cabinet



4 x Support Rails



6 x Angle Irons



4 x Embedments



4 x Fixing Brackets



4 x 4x16 Screws



4 x 4x25 Screws

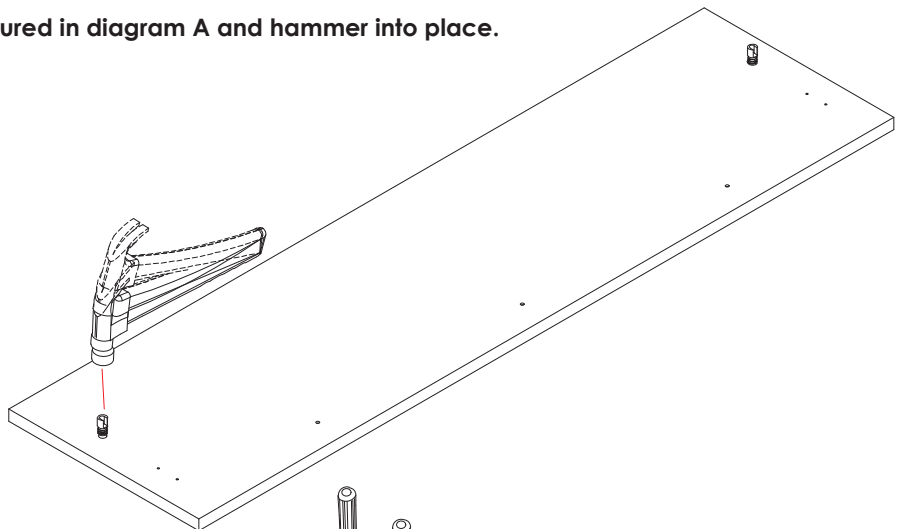
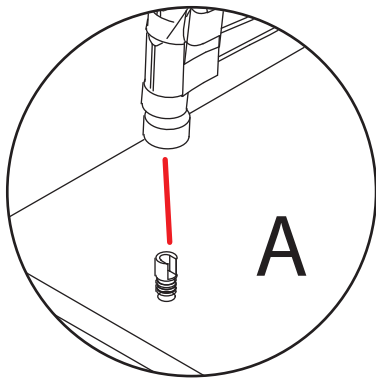


16 x 35x14 Screws

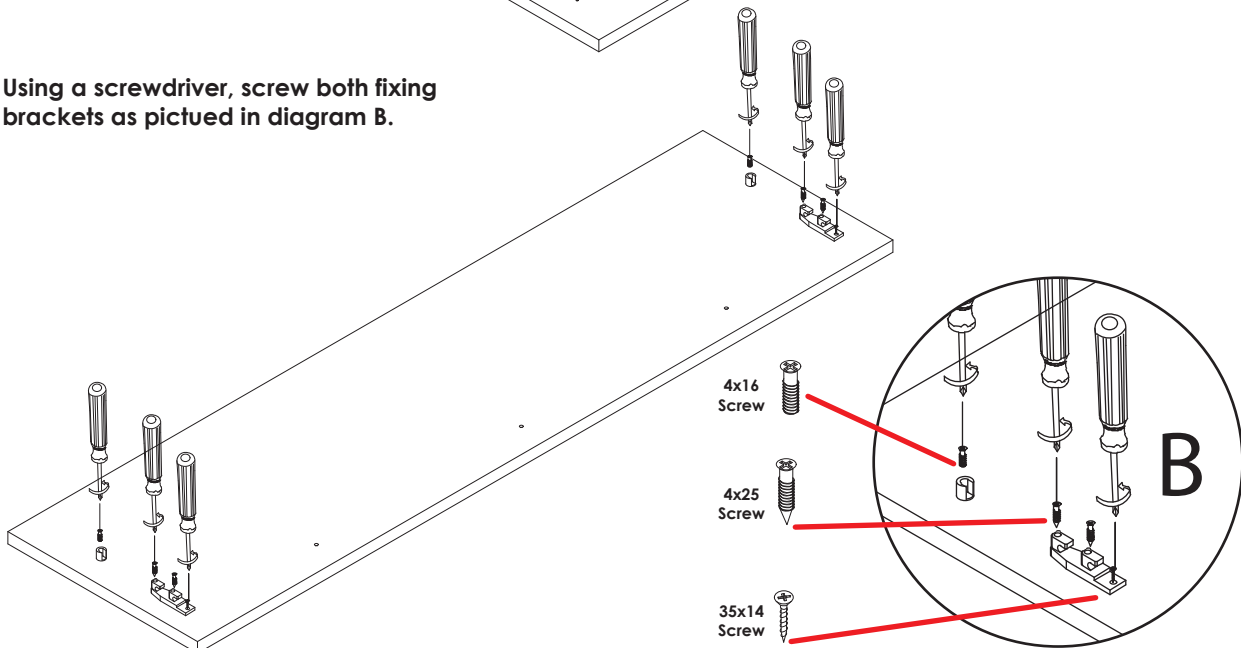
Drawer Fixing Parts supplied with Casa Lusso Cabinets FCAB-1200

INSTRUCTIONS

Insert the two Embedments as pictured in diagram A and hammer into place.



Using a screwdriver, screw both fixing brackets as pictured in diagram B.



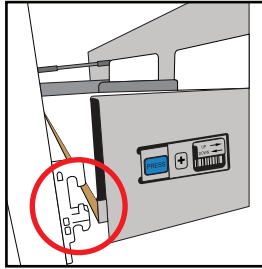
FAILURE TO COMPLY WITH ANY OF THE ABOVE INSTRUCTIONS WILL VOID ALL WARRANTIES

Drawer Front Installation Instructions

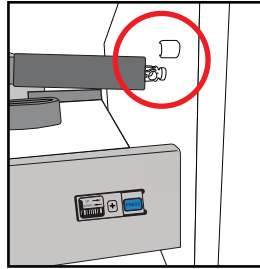
For FCAB-1200 Floor Mount Vanities

Inserting Support Posts

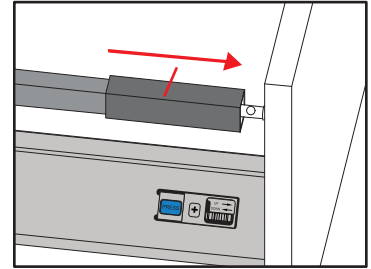
Drawer front with fixing bracket installed 'Clicks' in place into the drawer as pictured.



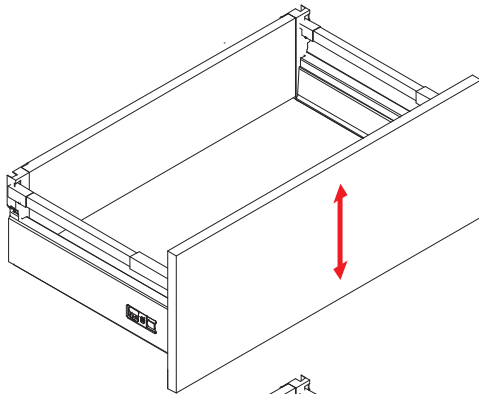
Push Support Post into the embedment.



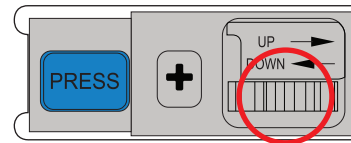
Shift cover cap over as pictured and push until it 'clicks'.



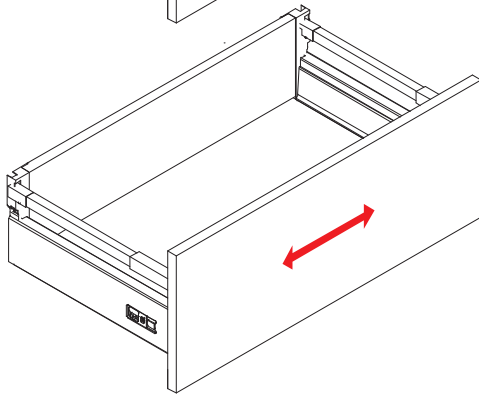
Adjusting fixings to secure drawer front



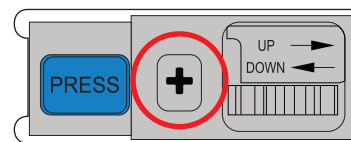
Adjusting drawer front height



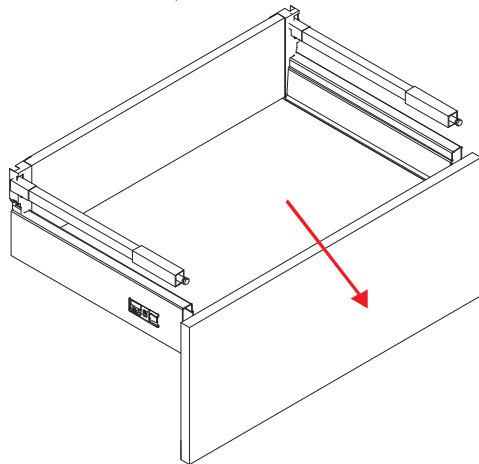
Allows you to adjust the drawer Up and Down. Simply rotate where indicated RIGHT to move the drawer UP and LEFT to move the drawer DOWN.



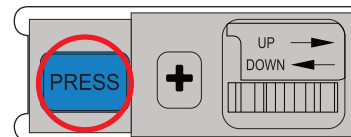
Adjusting drawer front so its centre to cabinet



Allows you to adjust the drawer Left and Right. Use a screwdriver where indicated and adjust until drawer front is centered.



Removing the drawer front from drawer runners

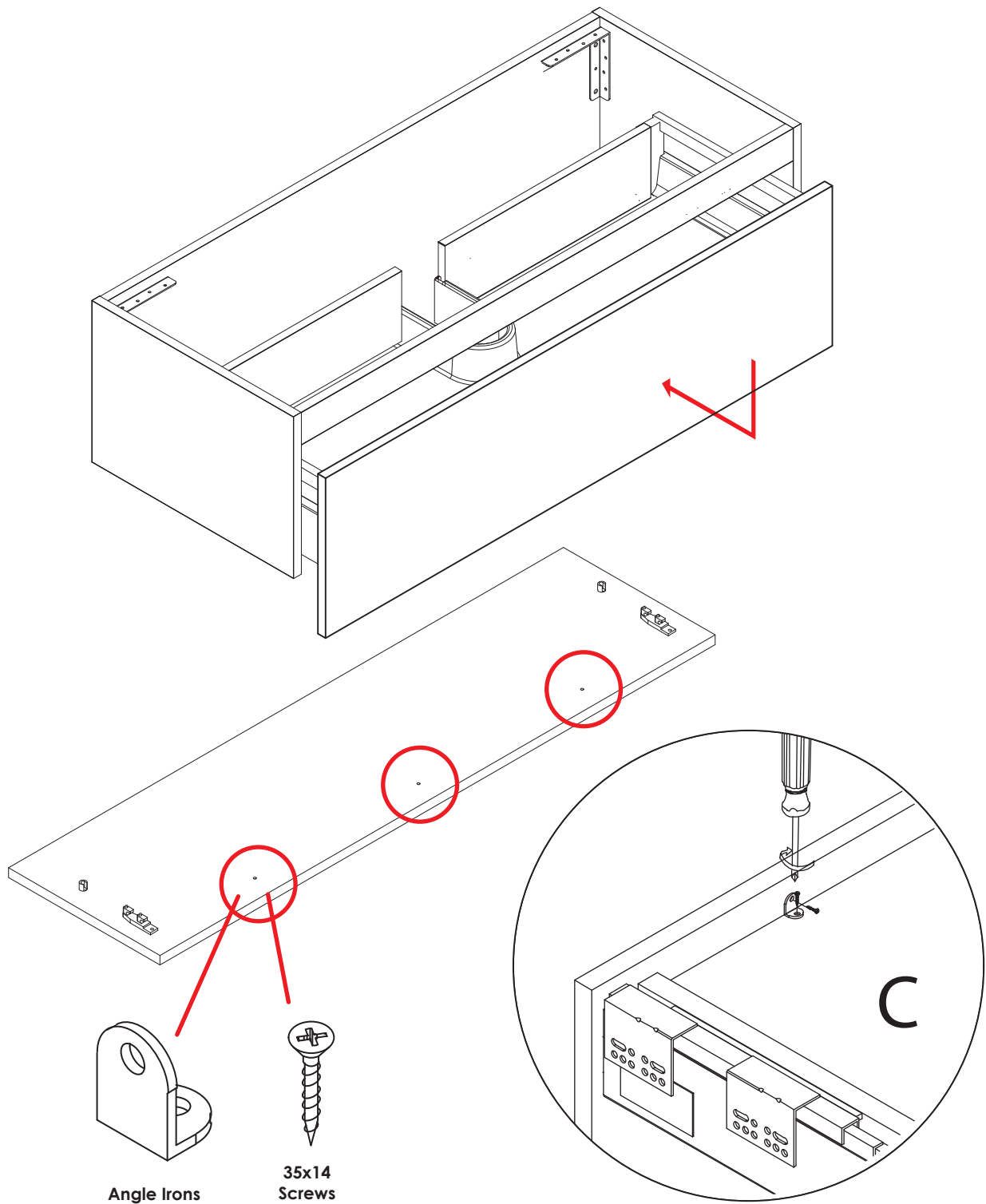


By pressing the blue button, this releases the drawer front from the runners. Please note you will also need to unscrew the Angle Irons.

Drawer Front Installation Instructions

For FCAB-1200 Floor Mount Vanities

Install the Angle Irons where indicated in diagram C to underneath the drawer.



Repeat all steps for second drawer front.

FAILURE TO COMPLY WITH ANY OF THE ABOVE INSTRUCTIONS WILL VOID ALL WARRANTIES