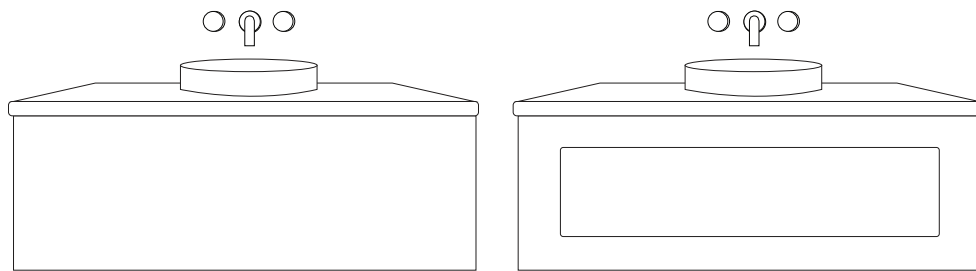


Drawer Front Installation Instructions

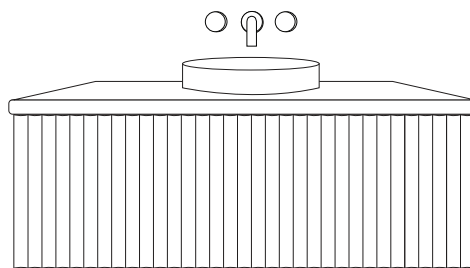
For CAB-1200 and SLM1200 Wall Hung Vanities

Congratulations on the purchase of your new Casa Lusso Vanity. We hope you and your family enjoy your new product and consider us for any future projects. Casa Lusso products have been manufactured under the highest standards of quality and workmanship.

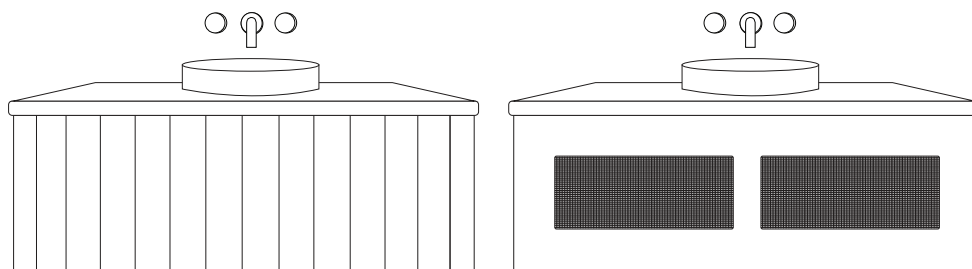


eden

BOSTON



SWELL



VENICE

BEECHMONT

GENERAL INFORMATION

The warranty will not apply if:

- The product has been damaged by improper use;
- The product has not been used in accordance with any applicable instruction guide;
- The purchaser has attempted to modify or repair the product;
- The purchaser has failed to observe the cleaning and maintenance guidelines;

Important:

- Take Care While Transporting and Handling Goods.
- This product should be installed by a qualified, licensed Tradesperson.

To tradesperson: Please ensure a copy of the installation instructions is left with the end user for future reference.

FEATURES

Material: Moisture resistant 2 pac matte white

Installation: Wall Mount

Includes: 1 x drawer front only.

Premium Warranty (Domestic Use) :
5 year replacement product and parts:
1 year labour



PRIOR TO INSTALLATION

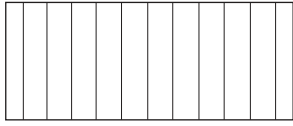
Ensure drawer front/s are inspected fully prior to installation. If damage has occurred, or a visible defect exists, do not proceed with installation and advise supplier immediately. Warranty will be void if product is installed.

FAILURE TO COMPLY WITH ANY OF THE ABOVE INSTRUCTIONS WILL VOID ALL WARRANTIES

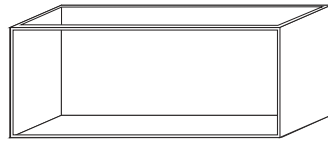
Drawer Front Installation Instructions

For CAB-1200 and SLM1200 Wall Hung Vanities

PRODUCT CONTENTS



1 x Drawer Front



1x Cabinet



3 x Angle Irons



2 x Embedments



2 x Fixing Brackets



2 x 4x16 Screws



2 x 4x25 Screws



8 x 35x14 Screws

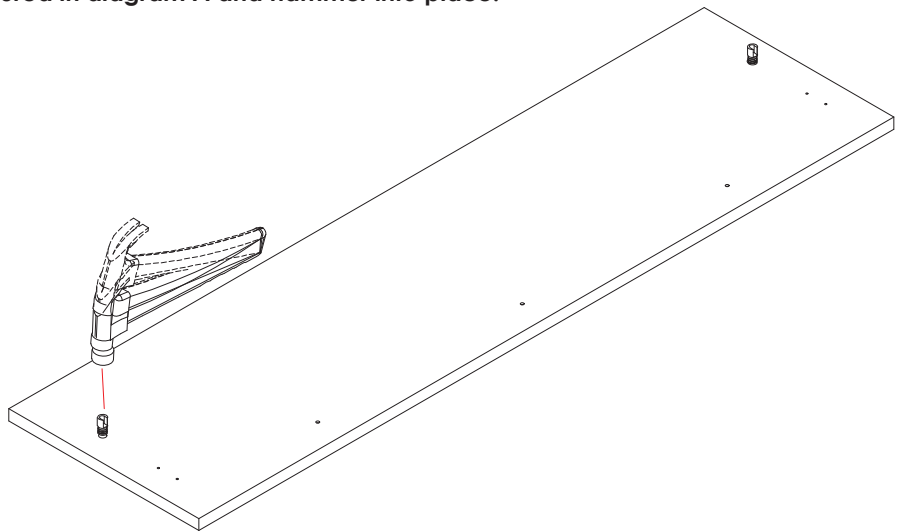
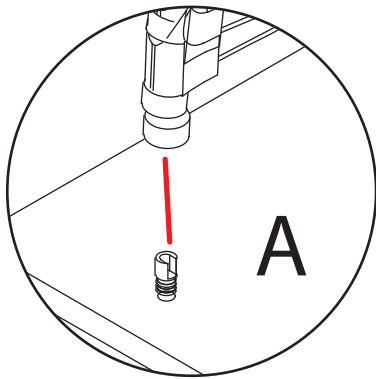


2 x Support Rails

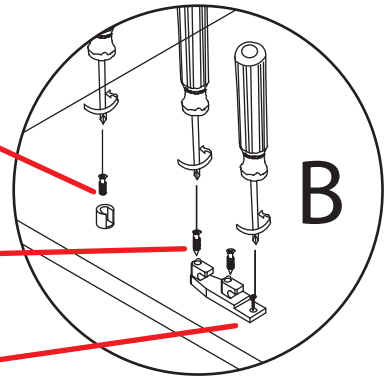
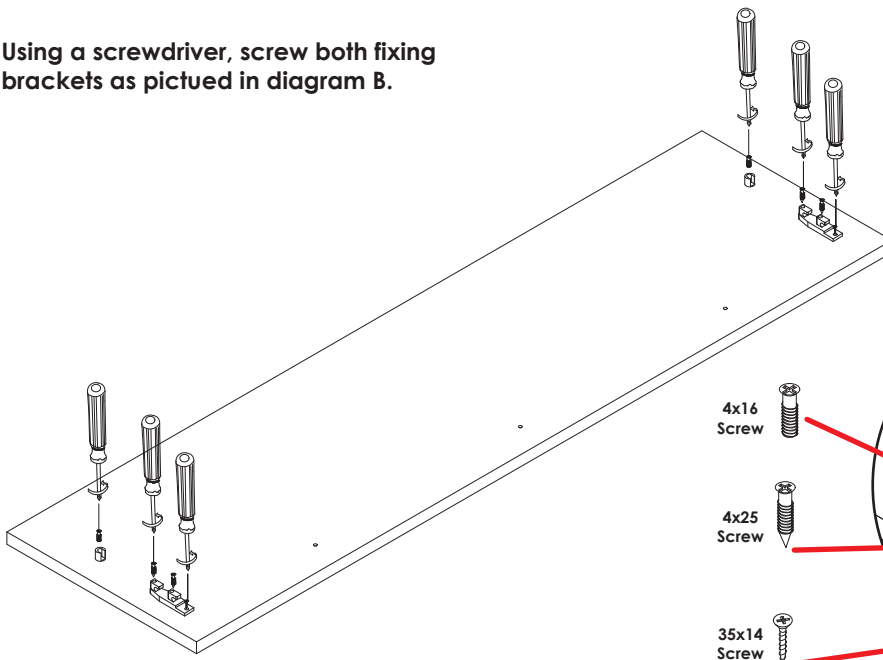
Drawer Fixing Parts supplied with Casa Lusso Cabinets CAB-1200

INSTRUCTIONS

Insert the two Embedments as pictured in diagram A and hammer into place.



Using a screwdriver, screw both fixing brackets as pictured in diagram B.



4x16 Screw

4x25 Screw

35x14 Screw

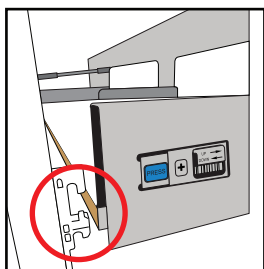
FAILURE TO COMPLY WITH ANY OF THE ABOVE INSTRUCTIONS WILL VOID ALL WARRANTIES

Drawer Front Installation Instructions

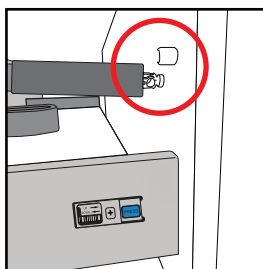
For CAB-1200 and SLM1200 Wall Hung Vanities

Inserting Support Posts

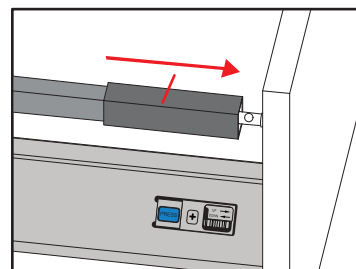
Drawer front with fixing bracket installed 'Clicks' in place into the drawer as pictured.



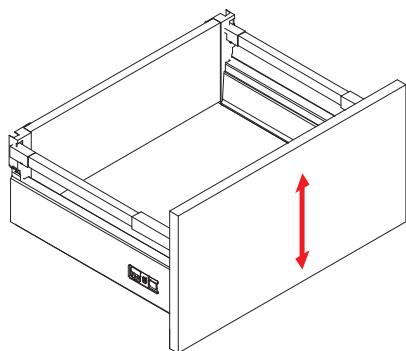
Push Support Post into the embedment.



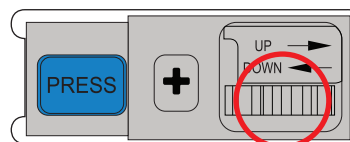
Shift cover cap over as pictured and push until it 'clicks'.



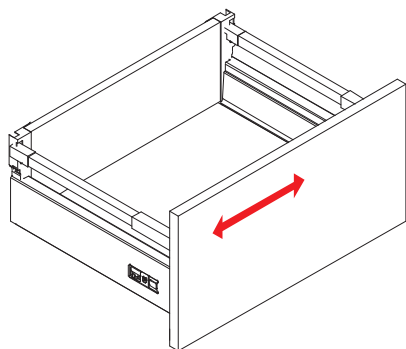
Adjusting fixings to secure drawer front



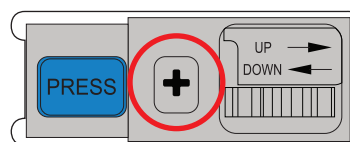
Adjusting drawer front height



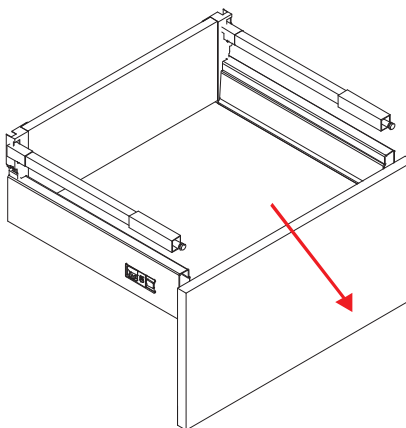
Allows you to adjust the drawer Up and Down. Simply rotate where indicated RIGHT to move the drawer UP and LEFT to move the drawer DOWN.



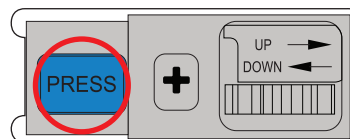
Adjusting drawer front so its centre to cabinet



Allows you to adjust the drawer Left and Right. Use a screwdriver where indicated and adjust until drawer front is centered.



Removing the drawer front from drawer runners

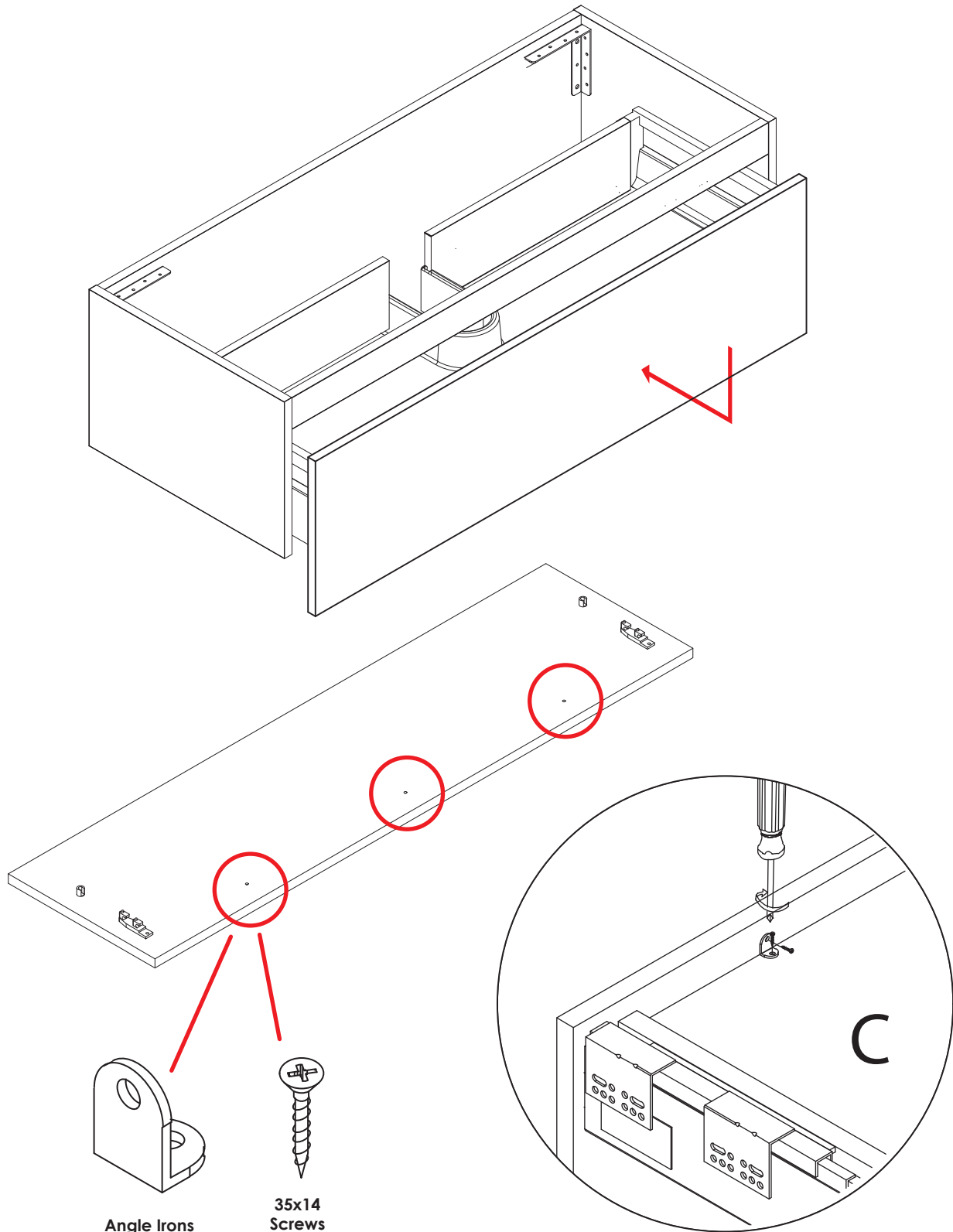


By pressing the blue button, this releases the drawer front from the runners. Please note you will also need to unscrew the Angle Irons.

Drawer Front Installation Instructions

For CAB-1200 and SLM1200 Wall Hung Vanities

Install the Angle Irons where indicated in diagram C to underneath the drawer.



FAILURE TO COMPLY WITH ANY OF THE ABOVE INSTRUCTIONS WILL VOID ALL WARRANTIES

Wall Hung Vanity Installation Instructions

CONGRATULATIONS ON THE PURCHASE OF YOUR NEW CASA LUSSO VANITY. WE HOPE YOU AND YOUR FAMILY ENJOY YOUR NEW PRODUCT AND CONSIDER US FOR ANY FUTURE PROJECTS. CASA LUSSO PRODUCTS HAVE BEEN MANUFACTURED UNDER THE HIGHEST STANDARDS OF QUALITY AND WORKMANSHIP.

GENERAL INFORMATION

The warranty will not apply if:

- The product has been damaged by improper use;
- The product has not been used in accordance with any applicable instruction guide;
- The purchaser has attempted to modify or repair the product;
- The purchaser has failed to observe the cleaning and maintenance guidelines;

Important:

- Take Care While Transporting and Handling Goods.
- This product should be installed by a qualified, licensed Tradesperson.

To tradesperson: Please ensure a copy of the installation instructions is left with the end user for future reference.

FEATURES

Installation: Wall Mount

Premium Warranty (Domestic Use) :
5 year replacement product and parts:
1 year labour

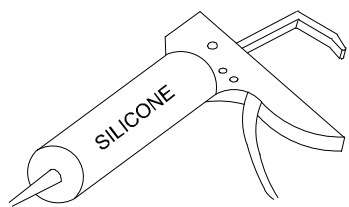


PRIOR TO INSTALLATION

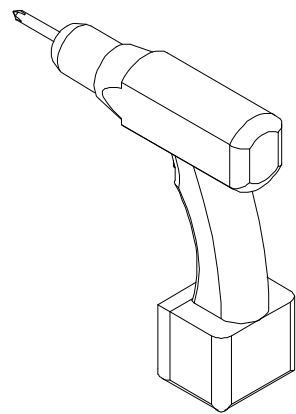
Ensure the vanity unit is inspected fully prior to installation. If damage has occurred, or a visible defect exists, do not proceed with installation and advise supplier immediately. Warranty will be void if product is installed.

INSTALLATION

Required Tools for Installation



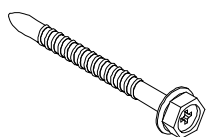
Silicone



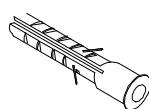
Electric Drill

Temporary Supports to use whilst installing Vanity such as a sturdy crate or a box

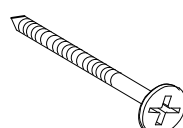
Parts Included



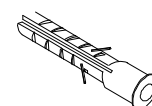
A (Ø8x70mm)



B (Ø10X50mm)



C (Ø4.5X60mm)

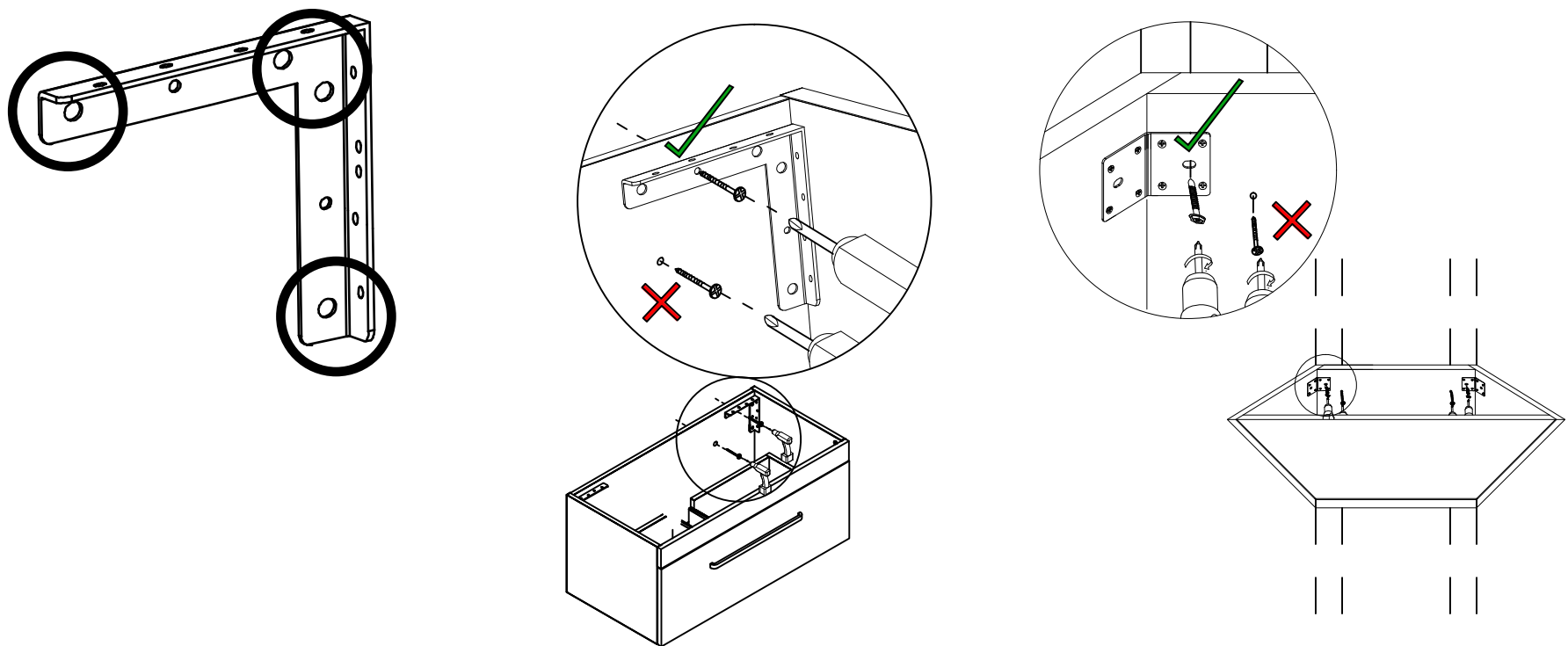


D (Ø8X40mm)

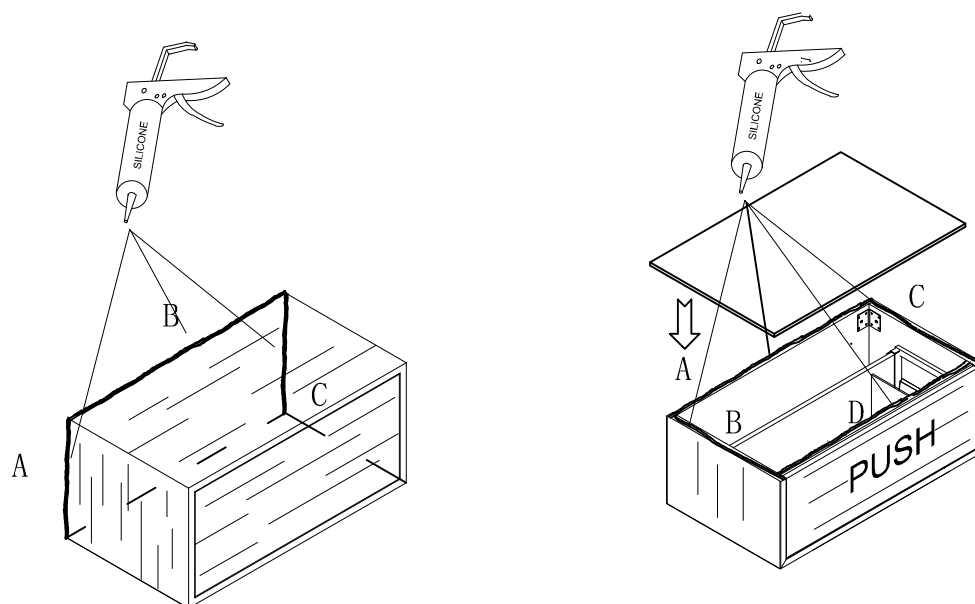
FAILURE TO COMPLY WITH ANY OF THE ABOVE INSTRUCTIONS WILL VOID ALL WARRANTIES

Wall Hung Vanity Installation Instructions

- Use temporary supports underneath your cabinet to ensure the vanity unit is level.
- Check the vanity is plumb to the wall, use packers if required.
- Using the L Bracket, align the bracket with wall studs or wall noggings.



- Screw through the larger holes top, bottom and corner of the L Bracket and ensure they are securely installed into the wall studs or wall noggings. Repeat this process on both sides of the vanity (left and right) and both L Brackets.
- Install an additional two screws into wall studs or noggings near the bottom of the back of the vanity.



- When a separate top is to be installed, please ensure a bead of antifungal, non- acidic silicone is applied to the top edges of both the front and either side panel of the cabinet prior to the installation of the top.
- Wipe off excess silicone at the time of silicone application.
- Upon installation of a separate top install a bead of silicone between the rear of the top and the wall.
- Remove excess silicone at the time of installation.
- Vanities with a pre fixed top also require silicon to be applied as detailed above.

NOTE - If you have purchased a floor mounted vanity and elect to install it minus the floor mounted kick panel it will be necessary to obtain and install L shaped brackets.

These brackets are to be installed in the top left and right corner of the vanity back to provide support to the side walls.

FAILURE TO COMPLY WITH ANY OF THE ABOVE INSTRUCTIONS WILL VOID ALL WARRANTIES