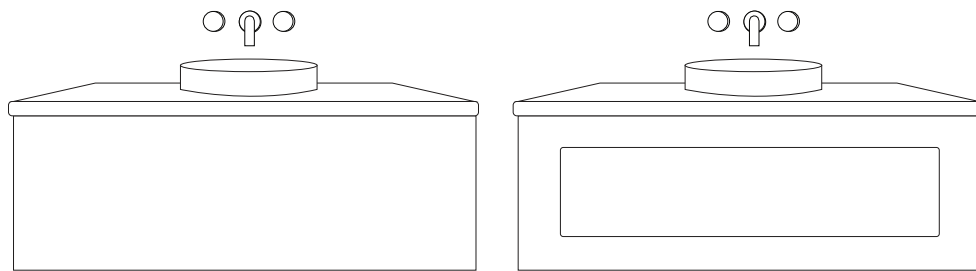


## Drawer Front Installation Instructions

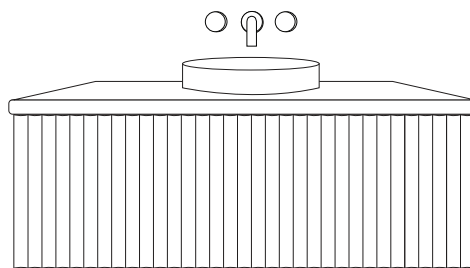
For CAB-1200 and SLM1200 Wall Hung Vanities

Congratulations on the purchase of your new Casa Lusso Vanity. We hope you and your family enjoy your new product and consider us for any future projects. Casa Lusso products have been manufactured under the highest standards of quality and workmanship.

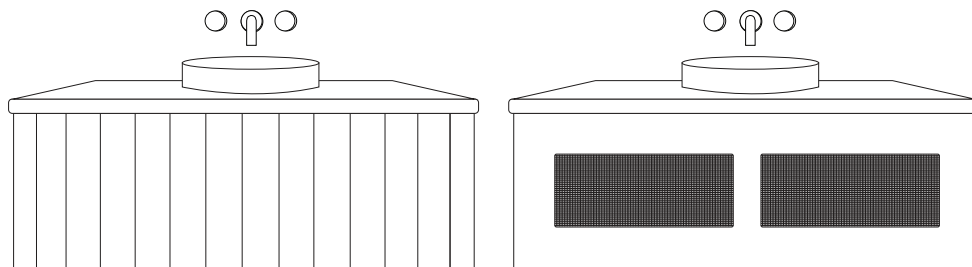


eden

BOSTON



SWELL



VENICE

BEECHMONT

### GENERAL INFORMATION

**The warranty will not apply if:**

- The product has been damaged by improper use;
- The product has not been used in accordance with any applicable instruction guide;
- The purchaser has attempted to modify or repair the product;
- The purchaser has failed to observe the cleaning and maintenance guidelines;

**Important:**

- Take Care While Transporting and Handling Goods.
- This product should be installed by a qualified, licensed Tradesperson.

**To tradesperson:** Please ensure a copy of the installation instructions is left with the end user for future reference.

### FEATURES

**Material:** Moisture resistant 2 pac matte white

**Installation:** Wall Mount

**Includes:** 1 x drawer front only.

**Premium Warranty (Domestic Use) :**  
5 year replacement product and parts:  
1 year labour



### PRIOR TO INSTALLATION

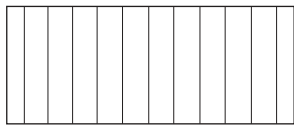
Ensure drawer front/s are inspected fully prior to installation. If damage has occurred, or a visible defect exists, do not proceed with installation and advise supplier immediately. Warranty will be void if product is installed.

**FAILURE TO COMPLY WITH ANY OF THE ABOVE INSTRUCTIONS WILL VOID ALL WARRANTIES**

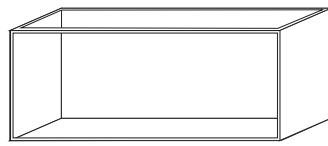
## Drawer Front Installation Instructions

For CAB-1200 and SLM1200 Wall Hung Vanities

### PRODUCT CONTENTS



1 x Drawer Front



1x Cabinet



3 x Angle Irons



2 x Embedments



2 x Fixing Brackets



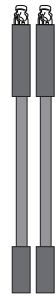
2 x 4x16 Screws



2 x 4x25 Screws



8 x 35x14 Screws

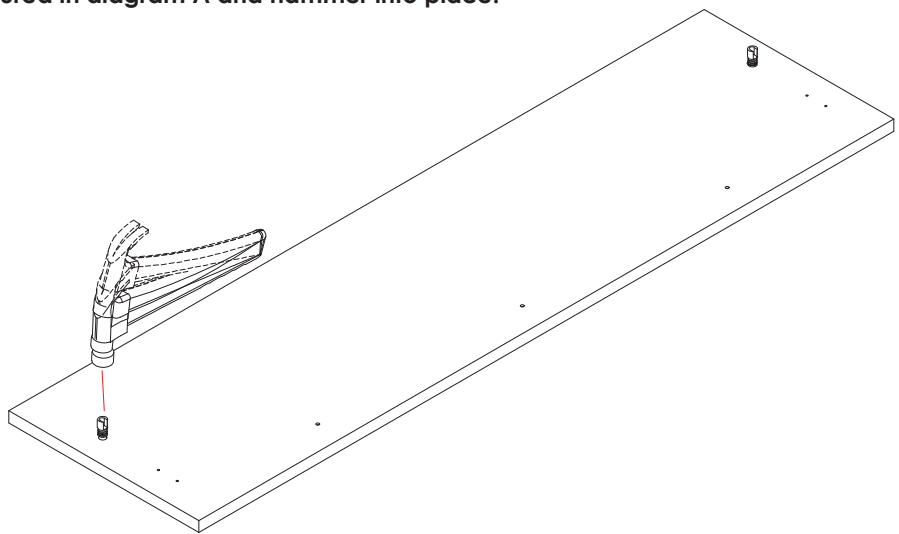
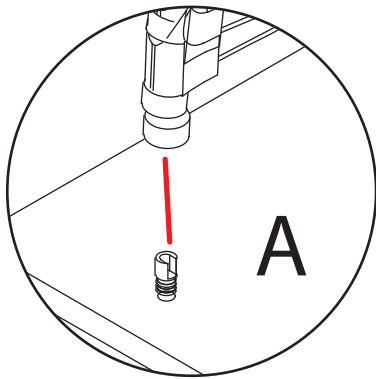


2 x Support Rails

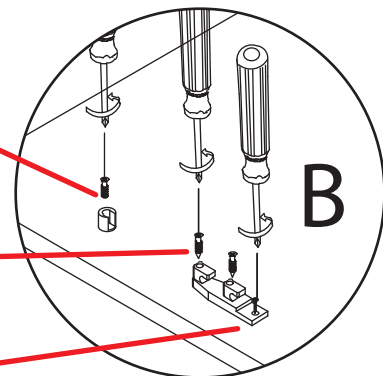
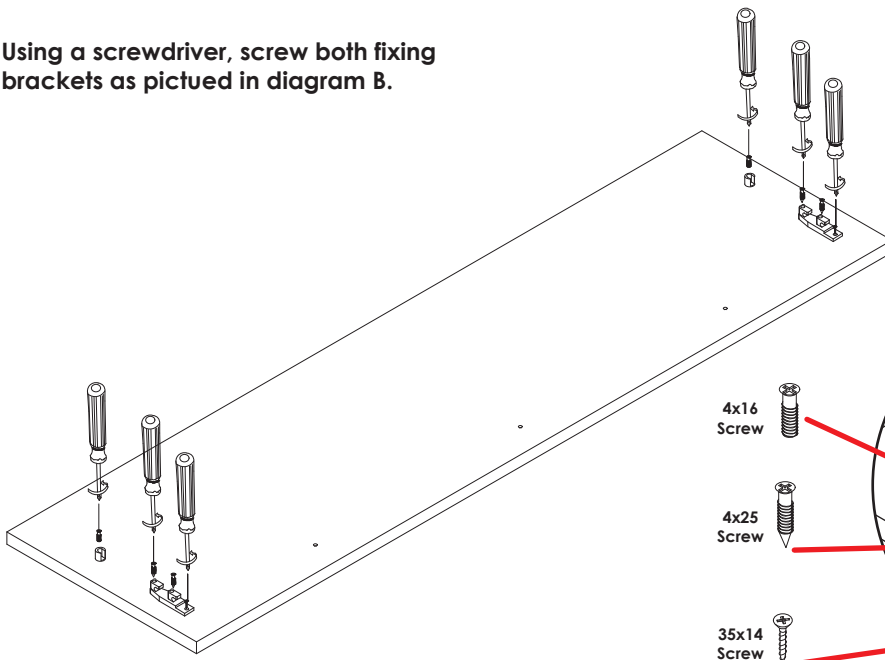
Drawer Fixing Parts supplied with Casa Lusso Cabinets CAB-1200

### INSTRUCTIONS

Insert the two Embedments as pictured in diagram A and hammer into place.



Using a screwdriver, screw both fixing brackets as pictured in diagram B.



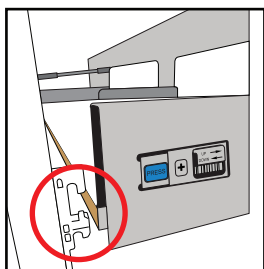
FAILURE TO COMPLY WITH ANY OF THE ABOVE INSTRUCTIONS WILL VOID ALL WARRANTIES

## Drawer Front Installation Instructions

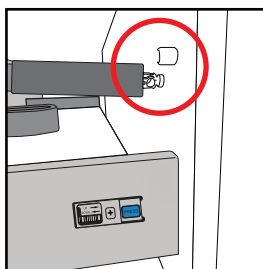
For CAB-1200 and SLM1200 Wall Hung Vanities

### Inserting Support Posts

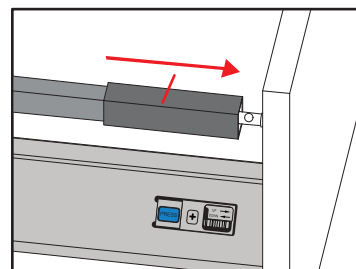
Drawer front with fixing bracket installed 'Clicks' in place into the drawer as pictured.



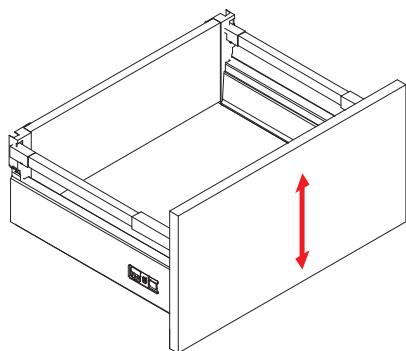
Push Support Post into the embedment.



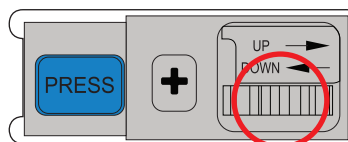
Shift cover cap over as pictured and push until it 'clicks'.



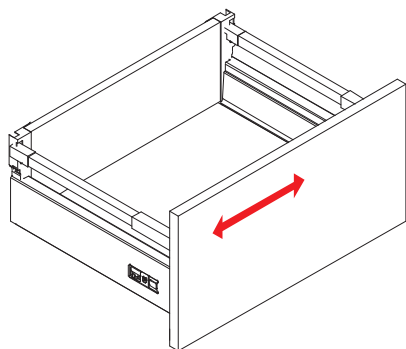
### Adjusting fixings to secure drawer front



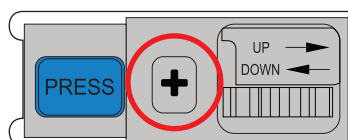
#### Adjusting drawer front height



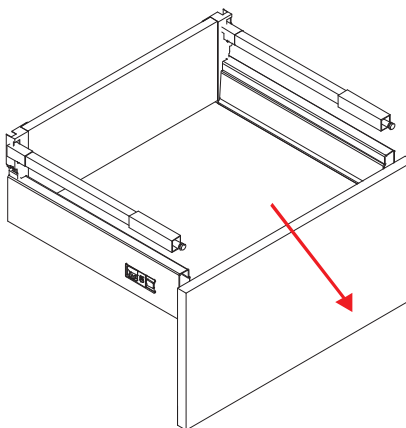
Allows you to adjust the drawer Up and Down. Simply rotate where indicated RIGHT to move the drawer UP and LEFT to move the drawer DOWN.



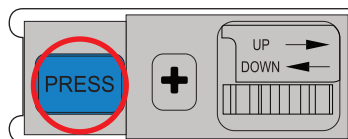
#### Adjusting drawer front so its centre to cabinet



Allows you to adjust the drawer Left and Right. Use a screwdriver where indicated and adjust until drawer front is centered.



#### Removing the drawer front from drawer runners

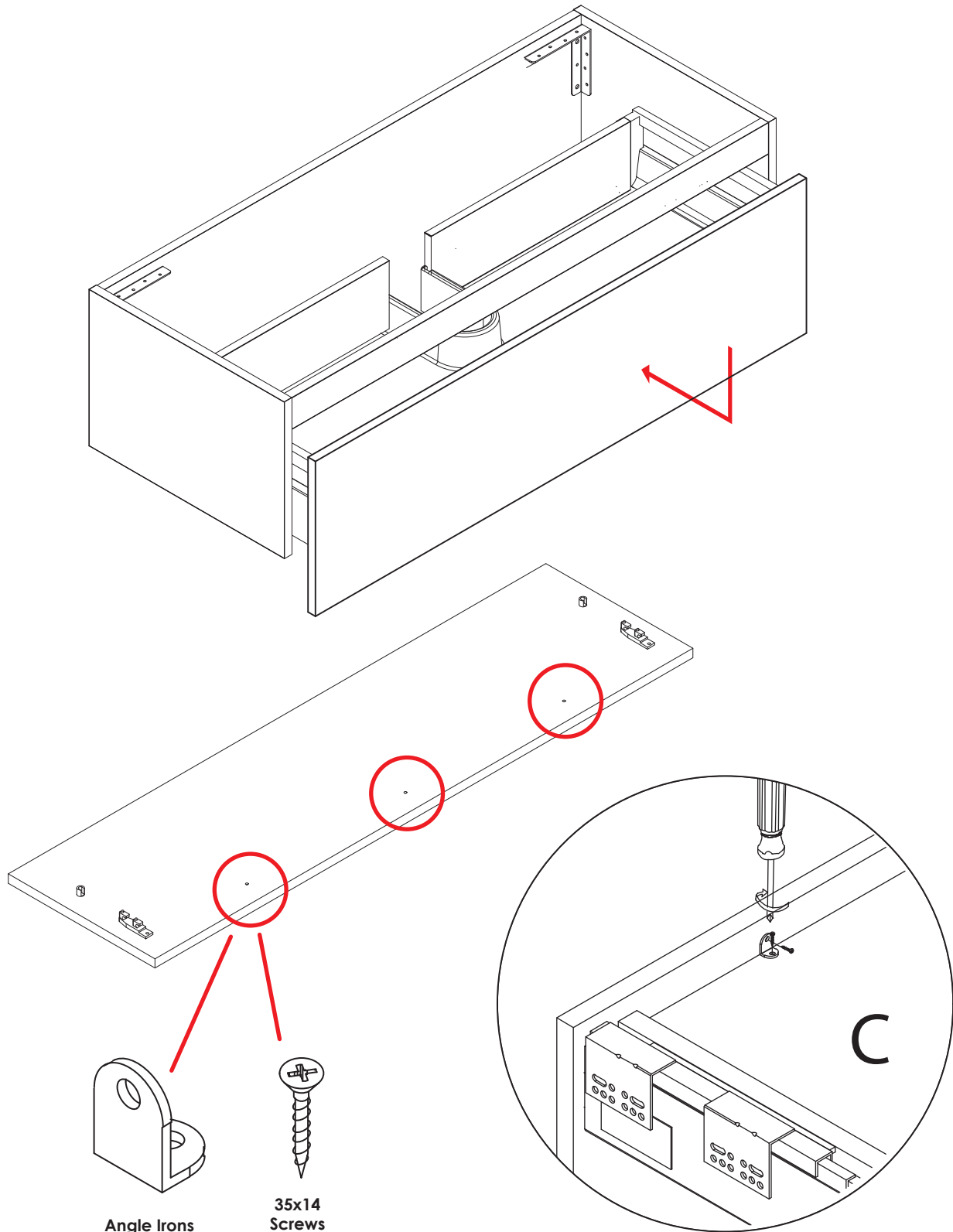


By pressing the blue button, this releases the drawer front from the runners. Please note you will also need to unscrew the Angle Irons.

## Drawer Front Installation Instructions

For CAB-1200 and SLM1200 Wall Hung Vanities

Install the Angle Irons where indicated in diagram C to underneath the drawer.



FAILURE TO COMPLY WITH ANY OF THE ABOVE INSTRUCTIONS WILL VOID ALL WARRANTIES