

CARE ACCESS

Grab Bar 450x450mm

7
YEAR
WARRANTY

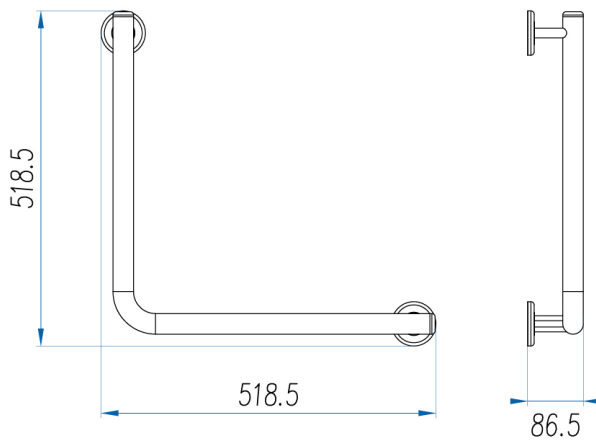


Polished Stainless Steel

Brushed Nickel

Brushed Brass

Gunmetal



CODE	FINISH
CA4545-PS	Polished Stainless Steel
CA4545-BN	Brushed Nickel
CA4545-BB	Brushed Brass
CA4545-GM	Gunmetal

SPECIFICATIONS

Material	304 Stainless Steel
Includes	Grab Bar, Concealed Fixing, Allen Key
Warranty	7 year replacement product or parts 1 year labour

CASA LUSO

Due to our policy of continuous development, all designs and measurements are intended only as a guide and are subject to change without notice. Being hand made products they are subject to a size variance E&OE. This brochure is representative of the actual products at time of printing. Please confirm all particulars before purchase. Casa Lusso recommends having the product on site before commencing rough in.

Available at

hb Highgrove Bathrooms
www.highgrovebathrooms.com.au