

CONGRATULATIONS ON THE PURCHASE OF YOUR NEW CASA LUSSO PRODUCT. WE HOPE YOU AND YOUR FAMILY ENJOY YOUR NEW PRODUCT AND CONSIDER US FOR ANY FUTURE PROJECT. CASA LUSSO PRODUCTS HAVE BEEN MANUFACTURED UNDER THE HIGHEST STANDARDS OF QUALITY AND WORKMANSHIP.

FEATURES

Product Code:

CA1060L-BB/CA1060L-BN/CA1060L-GM/CA1060L-PS
CA1060R-BB/CA1060R-BN/CA1060R-GM/CA1060R-PS
CA4545-BB/CA4545-BN/CA4545-GM/CA4545-PS

Premium Warranty (Domestic Use) :

7 year Replacement product

Material: 304 Stainless Steel

CARE ACCESS



CA1060L-BB



CA1060L-BN



CA1060L-GM



CA1060L-PS



CA1060R-BB



CA1060R-BN



CA1060R-GM



CA1060R-PS



CA4545-BB



CA4545-BN



CA4545-GM



CA4545-PS

FAILURE TO COMPLY WITH ANY OF THE ABOVE INSTRUCTIONS WILL VOID ALL WARRANTIES

GENERAL INFORMATION

MAINTENANCE

- Clean regularly using mild soap and dry with a soft cloth.
- Do not use abrasive cleaners, bleach, harsh detergents or citrus based cleaners on any products as these will scratch the surface.
- Tightening or adjustment of fittings over time is considered general maintenance.
- Damage to finishes that arise from installation or post installation will void warranty.

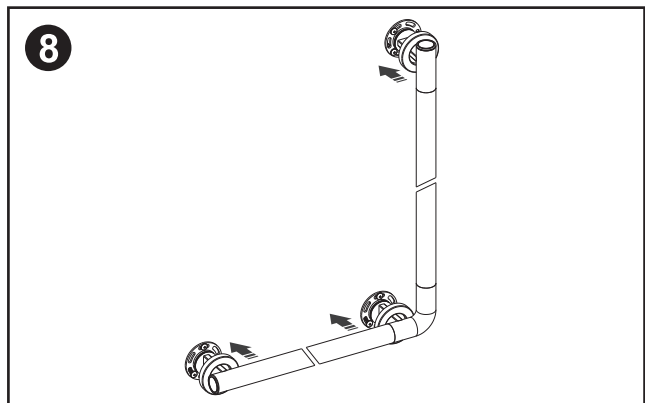
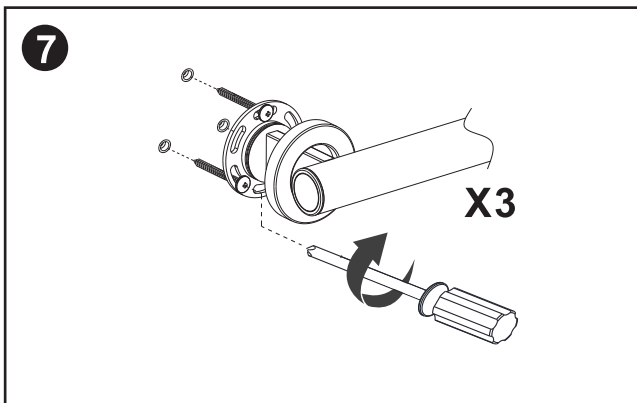
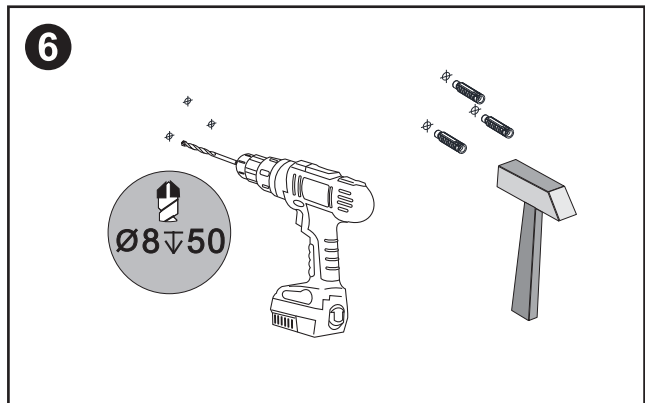
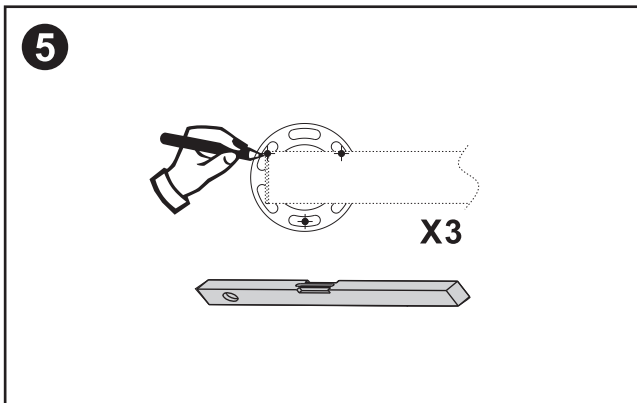
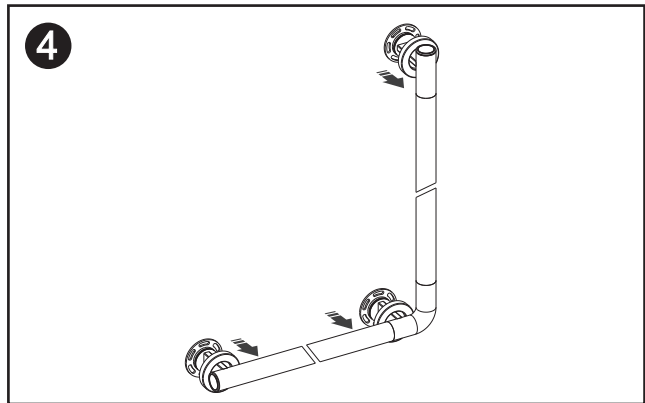
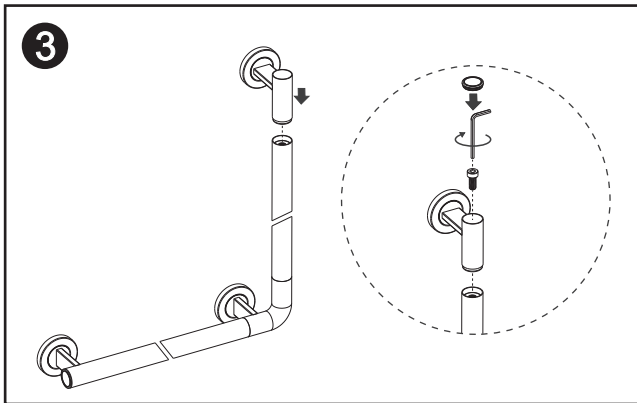
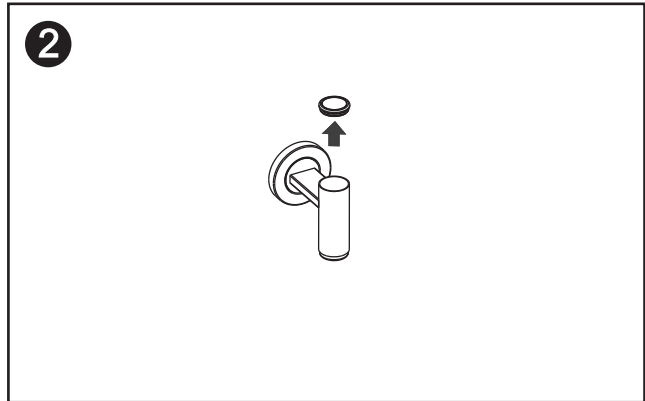
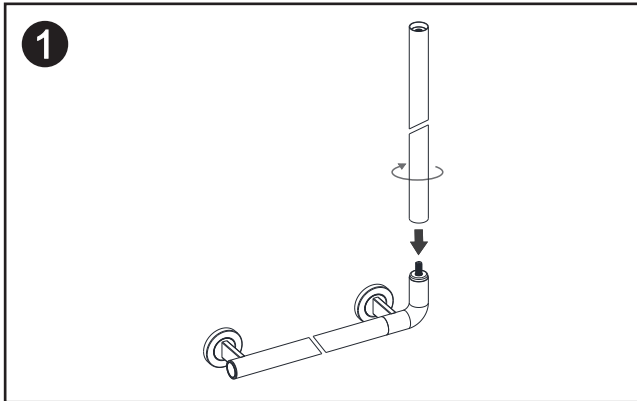
The warranty will not apply if:

- The product has been damaged by improper use;
- The product has not been used in accordance with any applicable instruction guide;
- The purchaser has attempted to modify or repair the product;
- The purchaser has failed to observe the cleaning and maintenance guidelines;

Product warranties are personal to the person who acquires the product for their own consumption or use and not for resale or resupply. Claims with this product cannot be made by anyone other than the consumer. Where a product is covered by parts and labour warranty, the warranty covers both the repair of the defective part or the provision of a spare part to replace the defective part and the installation of that part. Where a product is covered by parts only, the warranty covers both the repair of the defective part or the provision of a spare part in replacement. It does not include the removal of the defective part or the installations of the repaired or replaced part. We reserve the right to provide minor components (e.g. handles, aerators, hoses, dress rings and washers) as 'Parts Only' to the customer. Casa Lusso reserves the right to alter, or amend this warranty offer in writing at any time.

FAILURE TO COMPLY WITH ANY OF THE ABOVE INSTRUCTIONS WILL VOID ALL WARRANTIES

Ensure that there are no safety factors such as embedded lines and water pipes in the drilling location wall



FAILURE TO COMPLY WITH ANY OF THE ABOVE INSTRUCTIONS WILL VOID ALL WARRANTIES