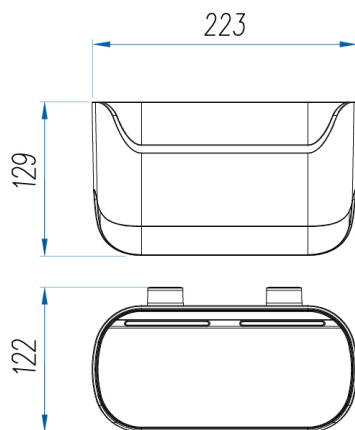


CARE ACCESS

Grab Bar Basket

1
YEAR
WARRANTY



SPECIFICATIONS

Material	ABS Plastic
Includes	Grab Bar Basket only
Code	CAB22
Warranty	1 year replacement product

CASA LUSO

Due to our policy of continuous development, all designs and measurements are intended only as a guide and are subject to change without notice. Being hand made products they are subject to a size variance E&OE. This brochure is representative of the actual products at time of printing. Please confirm all particulars before purchase. Casa Lusso recommends having the product on site before commencing rough in.

Available at

hb Highgrove Bathrooms
www.highgrovebathrooms.com.au