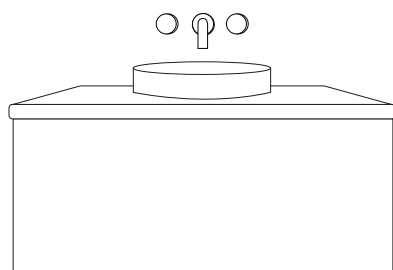


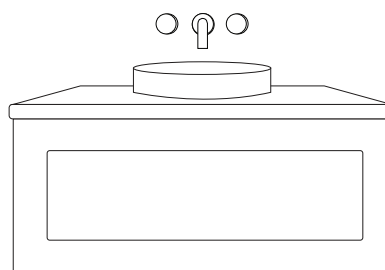
Drawer Front Installation Instructions

For CAB-300, CAB-600, SLM600, CAB-750, SLM750, CAB-900 and SLM900 Wall Hung Vanities

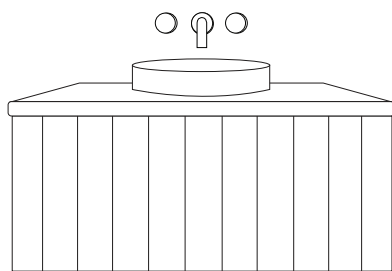
Congratulations on the purchase of your new Casa Lusso Vanity. We hope you and your family enjoy your new product and consider us for any future projects. Casa Lusso products have been manufactured under the highest standards of quality and workmanship.



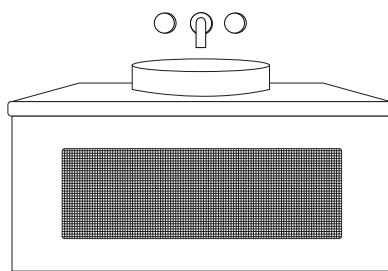
eden



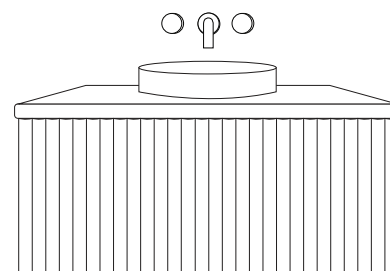
BOSTON



VENICE



BEECHMONT



SWELL

GENERAL INFORMATION

The warranty will not apply if:

- The product has been damaged by improper use;
- The product has not been used in accordance with any applicable instruction guide;
- The purchaser has attempted to modify or repair the product;
- The purchaser has failed to observe the cleaning and maintenance guidelines;

Important:

- Take Care While Transporting and Handling Goods.
- This product should be installed by a qualified, licensed Tradesperson.

To tradesperson: Please ensure a copy of the installation instructions is left with the end user for future reference.

PRIOR TO INSTALLATION

Ensure drawer front/s are inspected fully prior to installation. If damage has occurred, or a visible defect exists, do not proceed with installation and advise supplier immediately. Warranty will be void if product is installed.

FEATURES

Material: Moisture resistant 2 pac matte white

Installation: Wall Mount

Includes: 1 x drawer front only.

Premium Warranty (Domestic Use) :
5 year replacement product and parts:
1 year labour

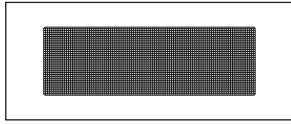


FAILURE TO COMPLY WITH ANY OF THE ABOVE INSTRUCTIONS WILL VOID ALL WARRANTIES

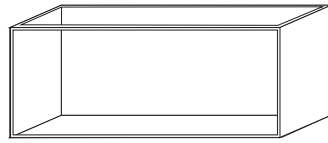
Drawer Front Installation Instructions

For CAB-300, CAB-600, SLM600, CAB-750, SLM750, CAB-900 and SLM900 Wall Hung Vanities

PRODUCT CONTENTS



1 x Drawer Front



1x Cabinet



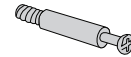
2 x Fixing
Brackets



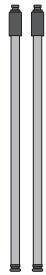
4 x Screws



1 x Cam Lock



1 x Cam Screw

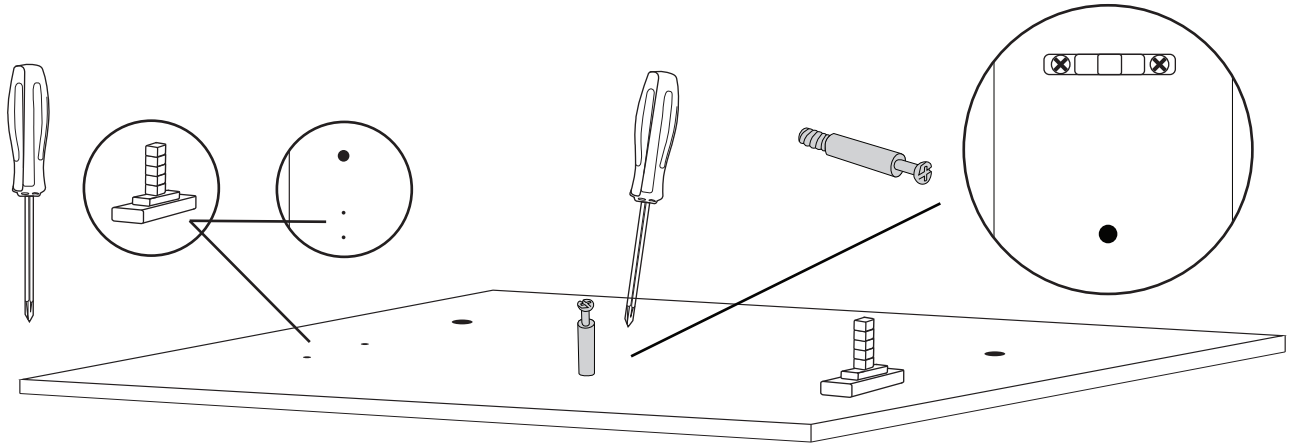


2 x Support
Rails

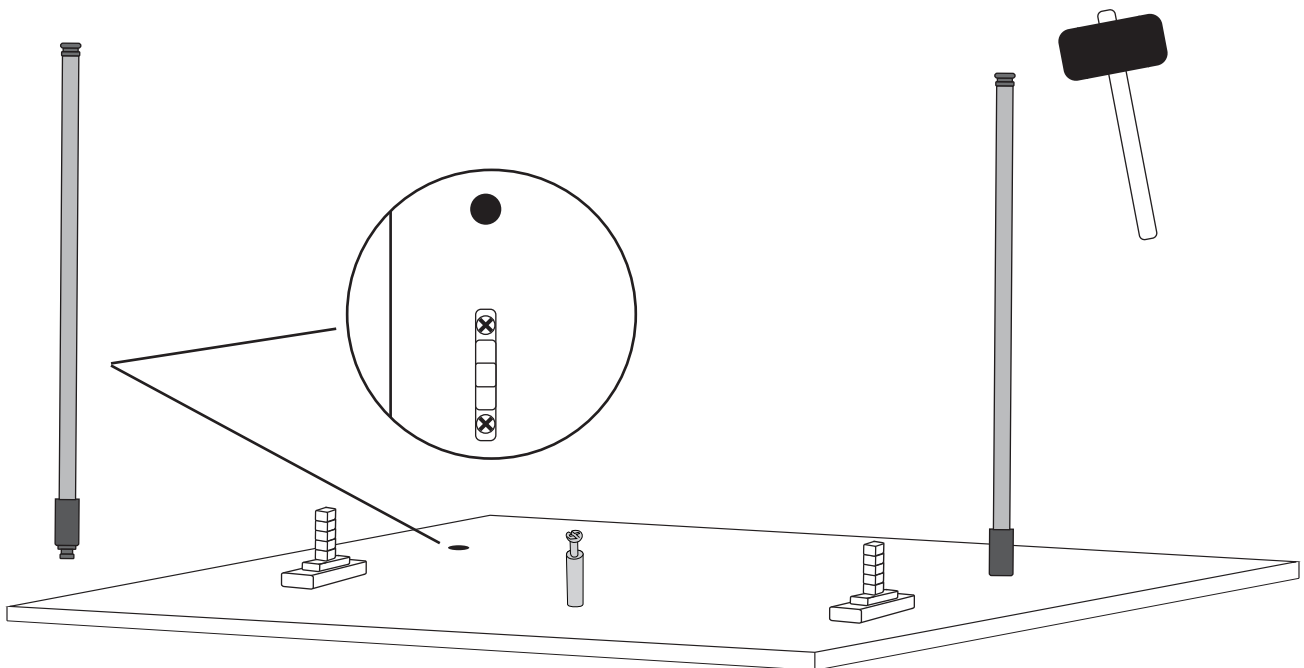
Drawer Fixing Parts supplied with Casa Lusso Cabinets
CAB-300, CAB-600, SLM600, CAB-750, SLM750, CAB-900 or SLM900

INSTRUCTIONS

Using a Phillips Head screwdriver, screw both fixing brackets into the 2 smaller holes using the screws provided. Screw in Cam Screw into the hole between the two fixing brackets.



Using a mallet, hammer both Support Rails into the larger holes.



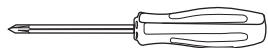
FAILURE TO COMPLY WITH ANY OF THE ABOVE INSTRUCTIONS WILL VOID ALL WARRANTIES

Drawer Front Installation Instructions

For CAB-300, CAB-600, SLM600, CAB-750, SLM750, CAB-900 and SLM900 Wall Hung Vanities

Push Drawer front into cabinet drawer

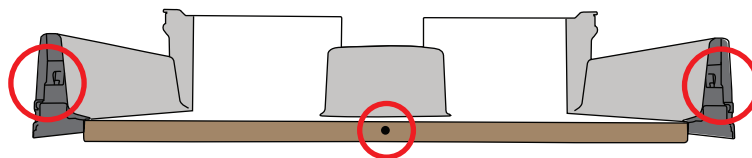
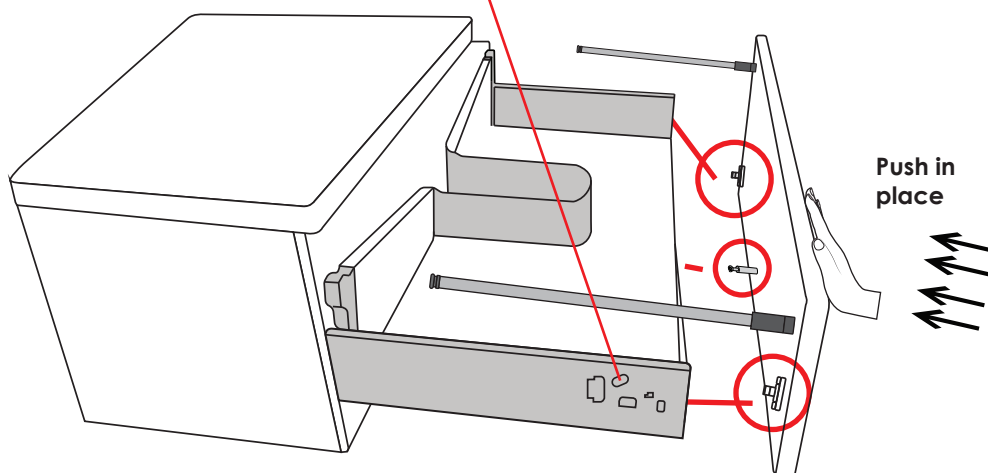
Important - Using a Philips Head Screwdriver, ensure bolt is unlocked (as pictured) before placing drawer front onto runners. When drawer front is installed, this should automatically click into 'Locked position'.



Unlocked position

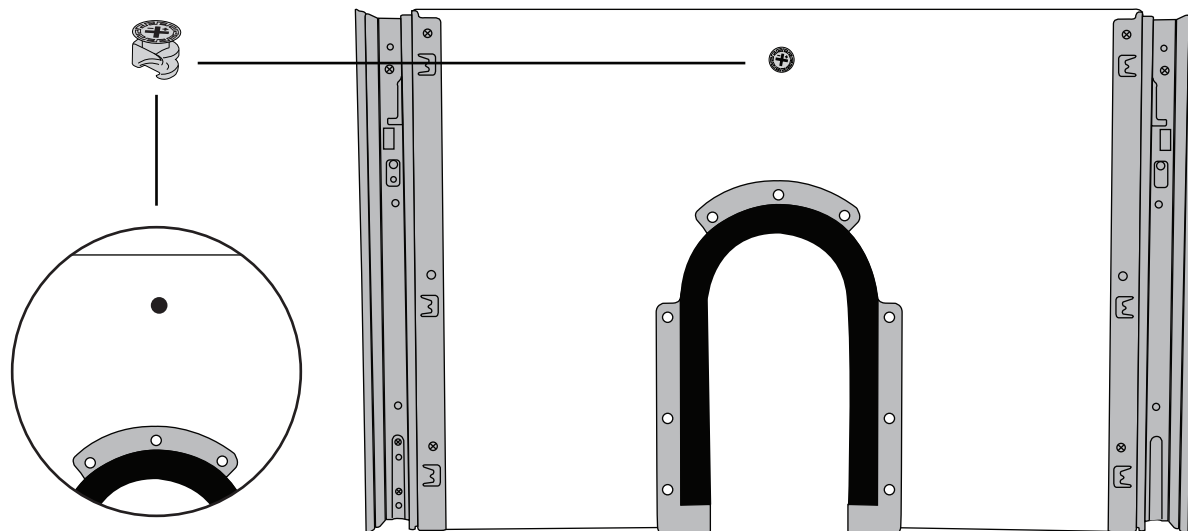


Locked position



Drawer front on example

For the Drawer, inset the Cam Lock underneath as pictured below, turning clockwise until locked in place.

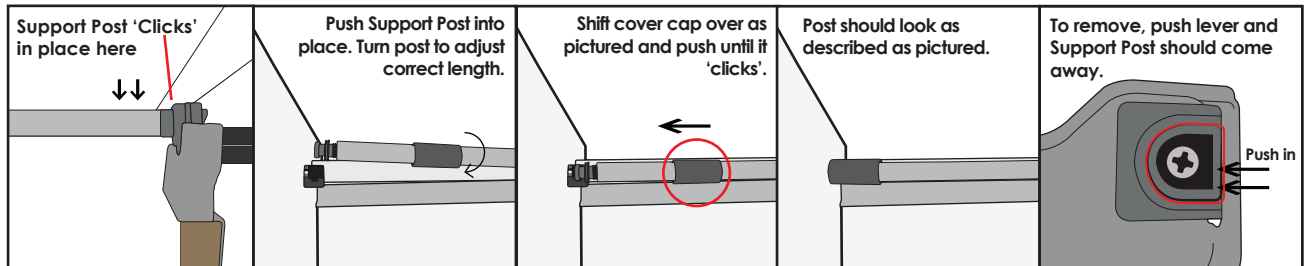


FAILURE TO COMPLY WITH ANY OF THE ABOVE INSTRUCTIONS WILL VOID ALL WARRANTIES

Drawer Front Installation Instructions

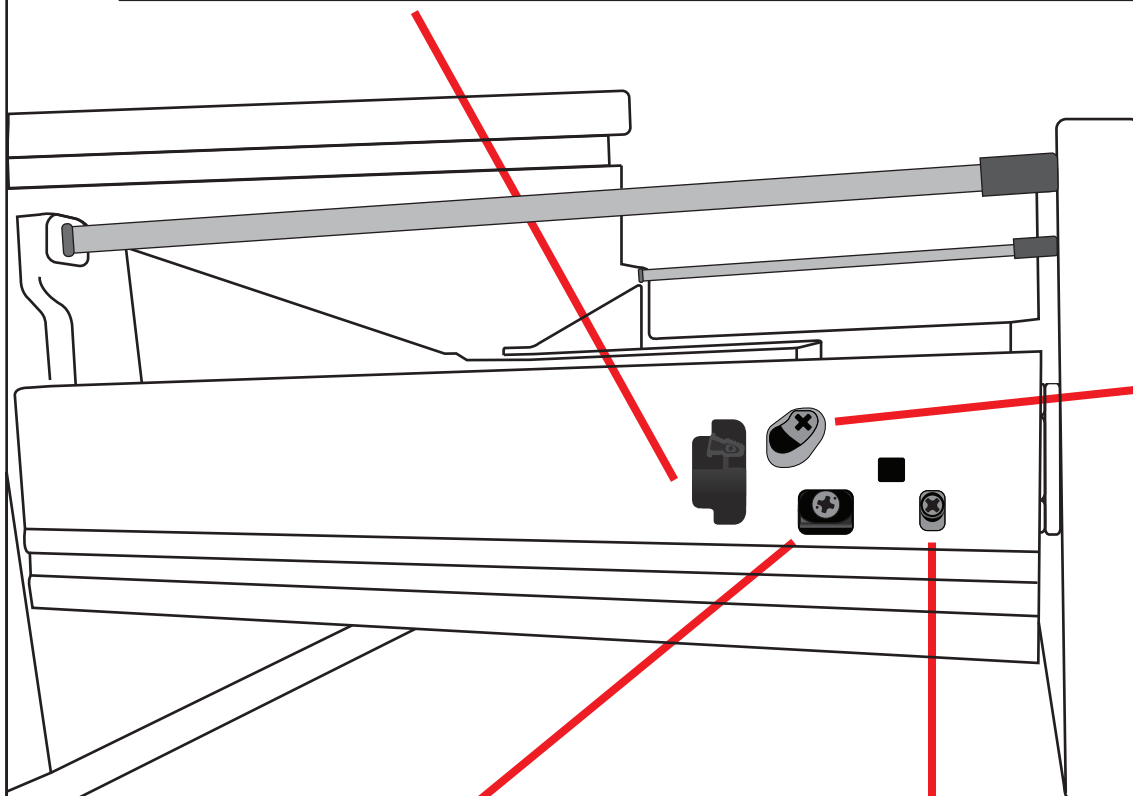
For CAB-300, CAB-600, SLM600, CAB-750, SLM750, CAB-900 and SLM900 Wall Hung Vanities

Inserting Support Posts



Adjusting fixings to secure drawer front

Allows you to remove the drawer from the drawer runners. Removing the entire drawer from the runners may assist with installing the drawer front if required. To remove, pull lever up with fingers and pull drawer towards you. The drawer should come off the drawer runners easily.



Pictured: Currently in 'Unlocked position. Once drawer is inserted in place, this should automatically lock into position. See Page 3 for more info.



Allows you to adjust the drawer Up and Down. Use a Phillips Head screwdriver to adjust.



If drawer is sitting out of place, this screw allows you to align it back into correct position.

Wall Hung Vanity Installation Instructions

CONGRATULATIONS ON THE PURCHASE OF YOUR NEW CASA LUSSO VANITY. WE HOPE YOU AND YOUR FAMILY ENJOY YOUR NEW PRODUCT AND CONSIDER US FOR ANY FUTURE PROJECTS. CASA LUSSO PRODUCTS HAVE BEEN MANUFACTURED UNDER THE HIGHEST STANDARDS OF QUALITY AND WORKMANSHIP.

GENERAL INFORMATION

The warranty will not apply if:

- The product has been damaged by improper use;
- The product has not been used in accordance with any applicable instruction guide;
- The purchaser has attempted to modify or repair the product;
- The purchaser has failed to observe the cleaning and maintenance guidelines;

Important:

- Take Care While Transporting and Handling Goods.
- This product should be installed by a qualified, licensed Tradesperson.

To tradesperson: Please ensure a copy of the installation instructions is left with the end user for future reference.

FEATURES

Installation: Wall Mount

Premium Warranty (Domestic Use) :
5 year replacement product and parts:
1 year labour

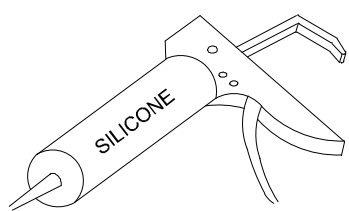


PRIOR TO INSTALLATION

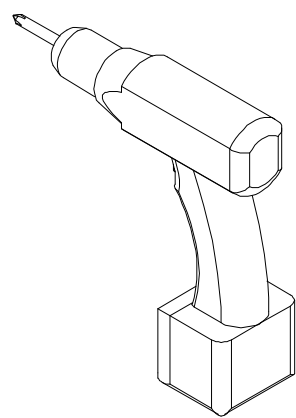
Ensure the vanity unit is inspected fully prior to installation. If damage has occurred, or a visible defect exists, do not proceed with installation and advise supplier immediately. Warranty will be void if product is installed.

INSTALLATION

Required Tools for Installation



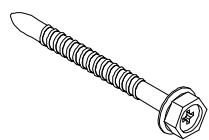
Silicone



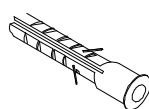
Electric Drill

Temporary Supports to use whilst installing Vanity such as a sturdy crate or a box

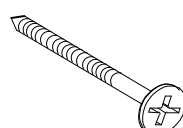
Parts Included



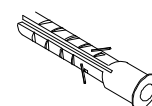
A (Ø8x70mm)



B (Ø10X50mm)



C (Ø4.5X60mm)

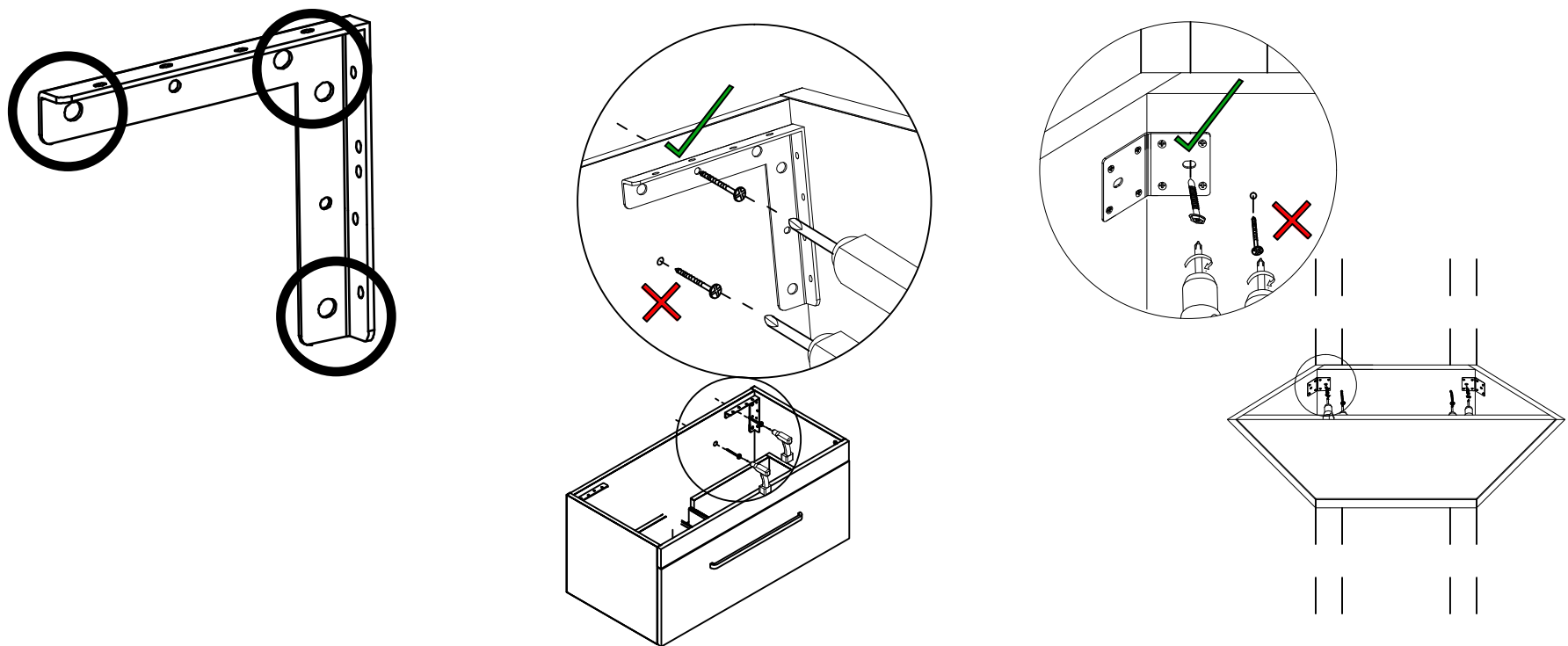


D (Ø8X40mm)

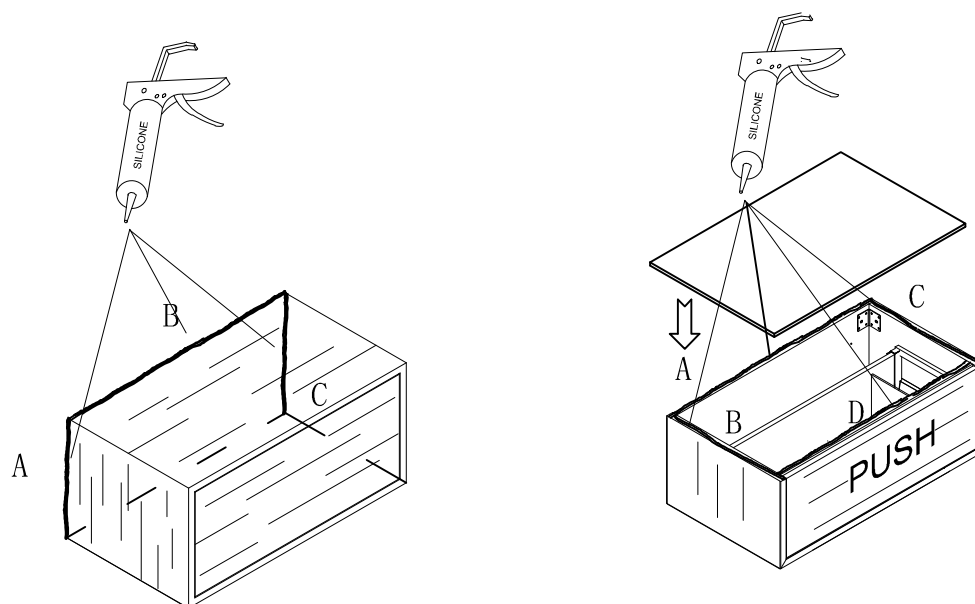
FAILURE TO COMPLY WITH ANY OF THE ABOVE INSTRUCTIONS WILL VOID ALL WARRANTIES

Wall Hung Vanity Installation Instructions

- Use temporary supports underneath your cabinet to ensure the vanity unit is level.
- Check the vanity is plumb to the wall, use packers if required.
- Using the L Bracket, align the bracket with wall studs or wall noggings.



- Screw through the larger holes top, bottom and corner of the L Bracket and ensure they are securely installed into the wall studs or wall noggings. Repeat this process on both sides of the vanity (left and right) and both L Brackets.
- Install an additional two screws into wall studs or noggings near the bottom of the back of the vanity.



- When a separate top is to be installed, please ensure a bead of antifungal, non- acidic silicone is applied to the top edges of both the front and either side panel of the cabinet prior to the installation of the top.
- Wipe off excess silicone at the time of silicone application.
- Upon installation of a separate top install a bead of silicone between the rear of the top and the wall.
- Remove excess silicone at the time of installation.
- Vanities with a pre fixed top also require silicon to be applied as detailed above.

NOTE - If you have purchased a floor mounted vanity and elect to install it minus the floor mounted kick panel it will be necessary to obtain and install L shaped brackets.

These brackets are to be installed in the top left and right corner of the vanity back to provide support to the side walls.

FAILURE TO COMPLY WITH ANY OF THE ABOVE INSTRUCTIONS WILL VOID ALL WARRANTIES