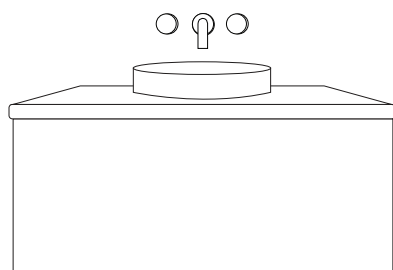


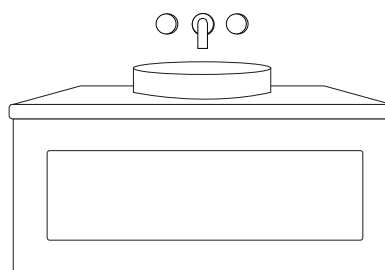
## Drawer Front Installation Instructions

For CAB-300, CAB-600, SLM600, CAB-750, SLM750, CAB-900 and SLM900 Wall Hung Vanities

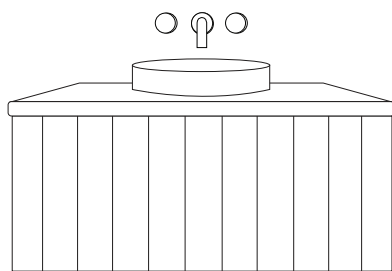
Congratulations on the purchase of your new Casa Lusso Vanity. We hope you and your family enjoy your new product and consider us for any future projects. Casa Lusso products have been manufactured under the highest standards of quality and workmanship.



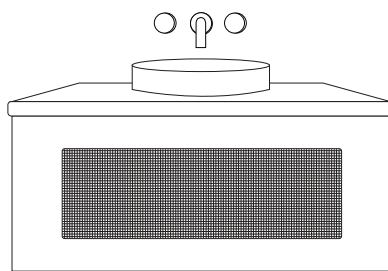
eden



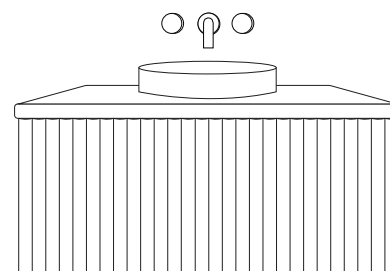
BOSTON



VENICE



BEECHMONT



SWELL

### GENERAL INFORMATION

**The warranty will not apply if:**

- The product has been damaged by improper use;
- The product has not been used in accordance with any applicable instruction guide;
- The purchaser has attempted to modify or repair the product;
- The purchaser has failed to observe the cleaning and maintenance guidelines;

**Important:**

- Take Care While Transporting and Handling Goods.
- This product should be installed by a qualified, licensed Tradesperson.

**To tradesperson:** Please ensure a copy of the installation instructions is left with the end user for future reference.

### FEATURES

**Material:** Moisture resistant 2 pac matte white

**Installation:** Wall Mount

**Includes:** 1 x drawer front only.

**Premium Warranty (Domestic Use) :**  
5 year replacement product and parts:  
1 year labour



### PRIOR TO INSTALLATION

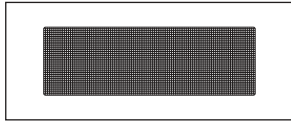
Ensure drawer front/s are inspected fully prior to installation. If damage has occurred, or a visible defect exists, do not proceed with installation and advise supplier immediately. Warranty will be void if product is installed.

**FAILURE TO COMPLY WITH ANY OF THE ABOVE INSTRUCTIONS WILL VOID ALL WARRANTIES**

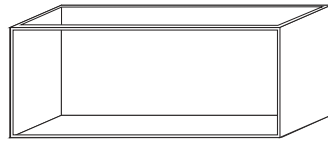
## Drawer Front Installation Instructions

For CAB-300, CAB-600, SLM600, CAB-750, SLM750, CAB-900 and SLM900 Wall Hung Vanities

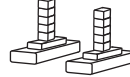
### PRODUCT CONTENTS



1 x Drawer Front



1x Cabinet



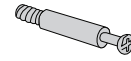
2 x Fixing Brackets



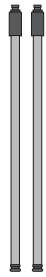
4 x Screws



1 x Cam Lock



1 x Cam Screw

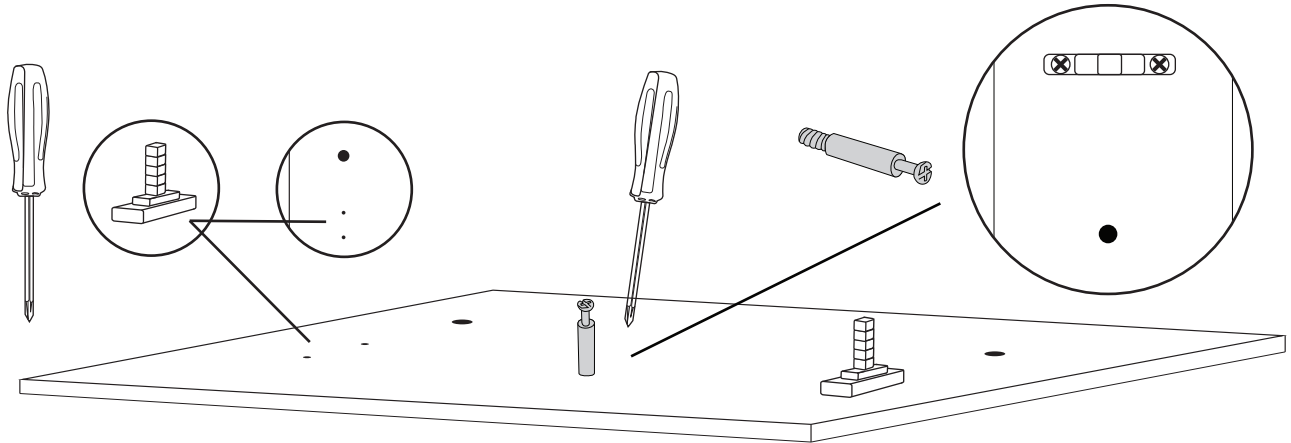


2 x Support Rails

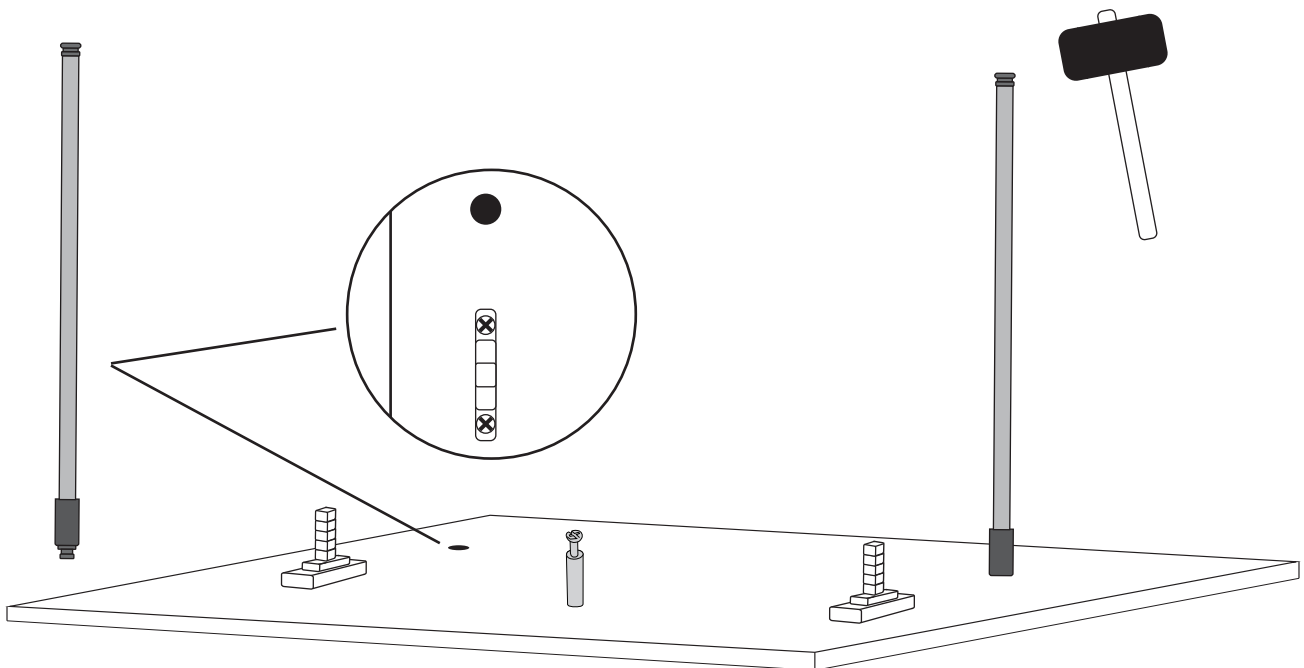
Drawer Fixing Parts supplied with Casa Lusso Cabinets  
CAB-300, CAB-600, SLM600, CAB-750, SLM750, CAB-900 or SLM900

### INSTRUCTIONS

Using a Phillips Head screwdriver, screw both fixing brackets into the 2 smaller holes using the screws provided. Screw in Cam Screw into the hole between the two fixing brackets.



Using a mallet, hammer both Support Rails into the larger holes.



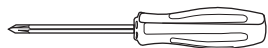
**FAILURE TO COMPLY WITH ANY OF THE ABOVE INSTRUCTIONS WILL VOID ALL WARRANTIES**

## Drawer Front Installation Instructions

For CAB-300, CAB-600, SLM600, CAB-750, SLM750, CAB-900 and SLM900 Wall Hung Vanities

### Push Drawer front into cabinet drawer

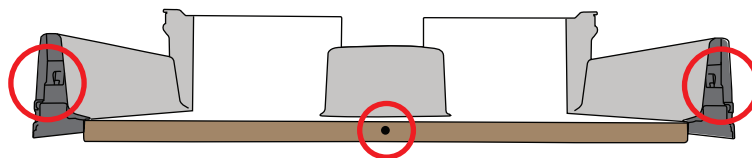
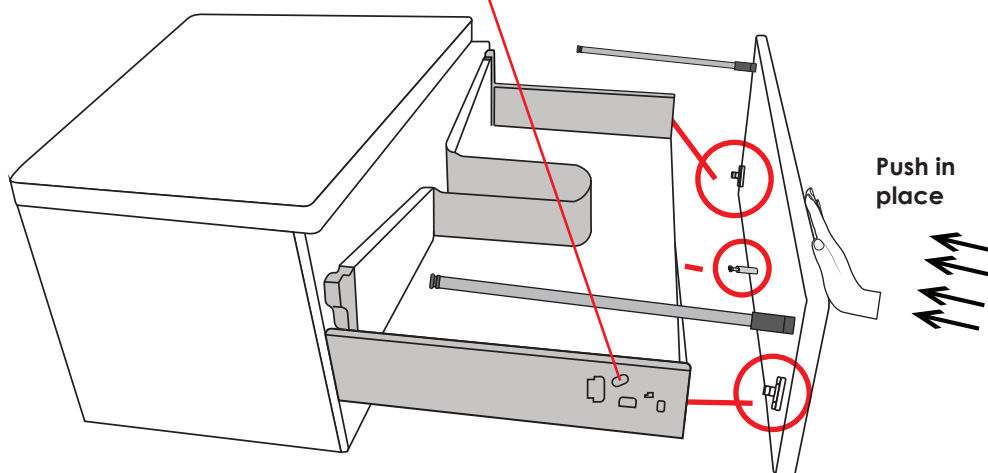
**Important** - Using a Philips Head Screwdriver, ensure bolt is unlocked (as pictured) before placing drawer front onto runners. When drawer front is installed, this should automatically click into 'Locked position'.



Unlocked position

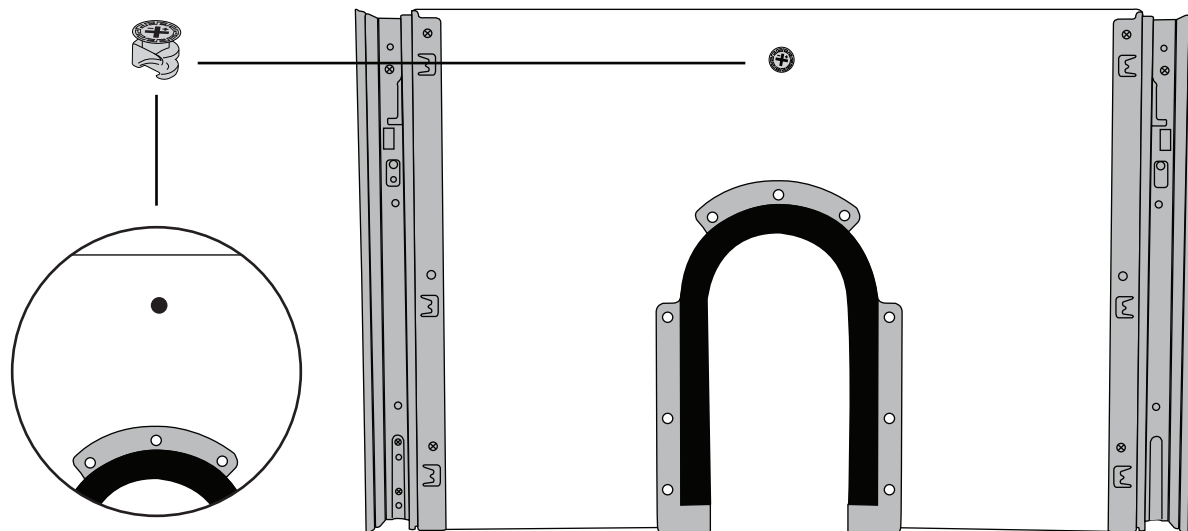


Locked position



Drawer front on example

For the Drawer, inset the Cam Lock underneath as pictured below, turning clockwise until locked in place.

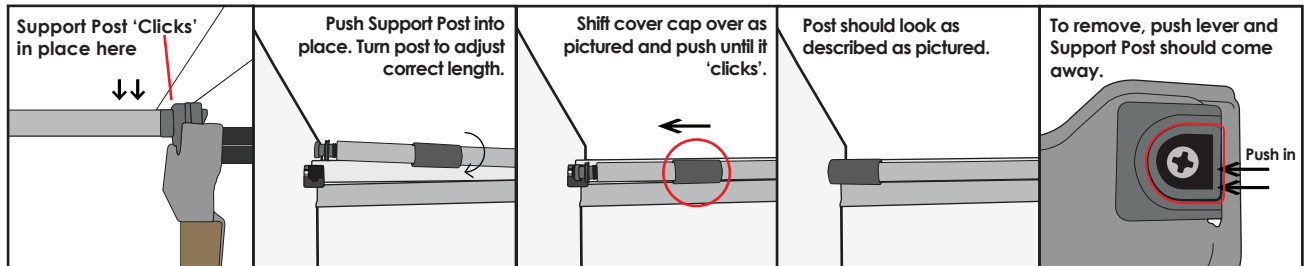


**FAILURE TO COMPLY WITH ANY OF THE ABOVE INSTRUCTIONS WILL VOID ALL WARRANTIES**

## Drawer Front Installation Instructions

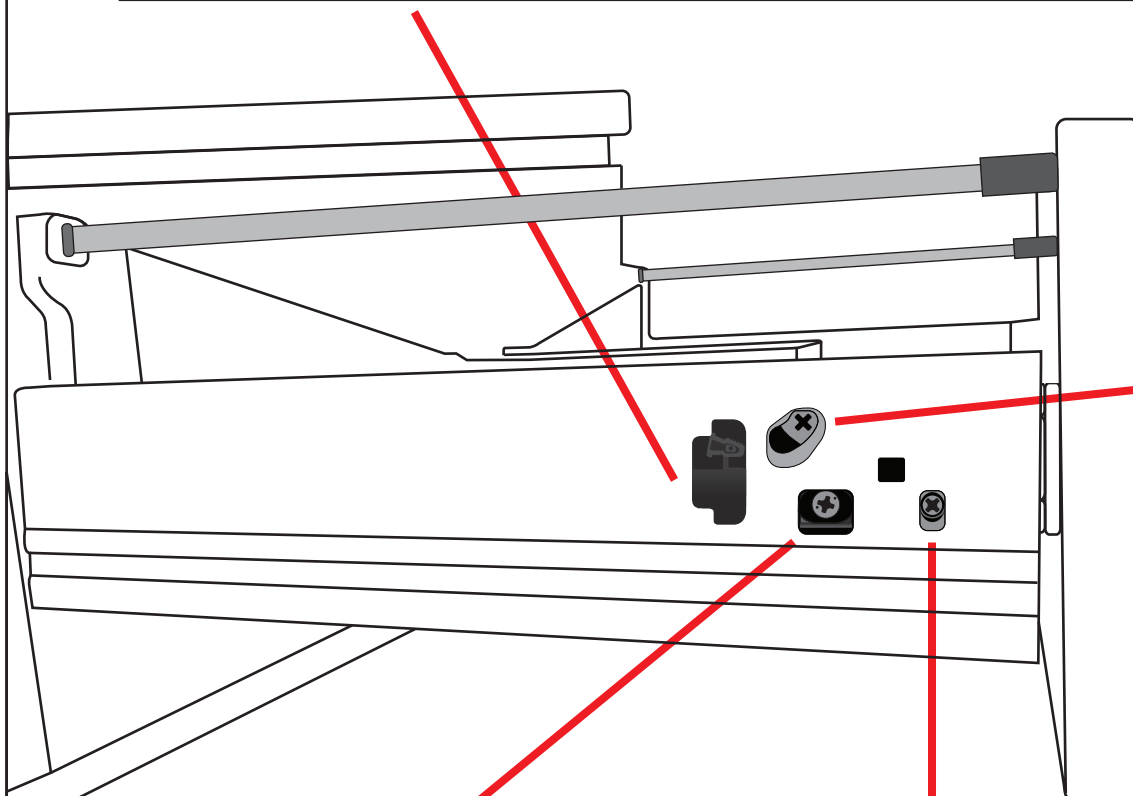
For CAB-300, CAB-600, SLM600, CAB-750, SLM750, CAB-900 and SLM900 Wall Hung Vanities

### Inserting Support Posts



### Adjusting fixings to secure drawer front

Allows you to remove the drawer from the drawer runners. Removing the entire drawer from the runners may assist with installing the drawer front if required. To remove, pull lever up with fingers and pull drawer towards you. The drawer should come off the drawer runners easily.



*Pictured: Currently in 'Unlocked position. Once drawer is inserted in place, this should automatically lock into position. See Page 3 for more info.*



Allows you to adjust the drawer Up and Down. Use a Phillips Head screwdriver to adjust.



If drawer is sitting out of place, this screw allows you to align it back into correct position.