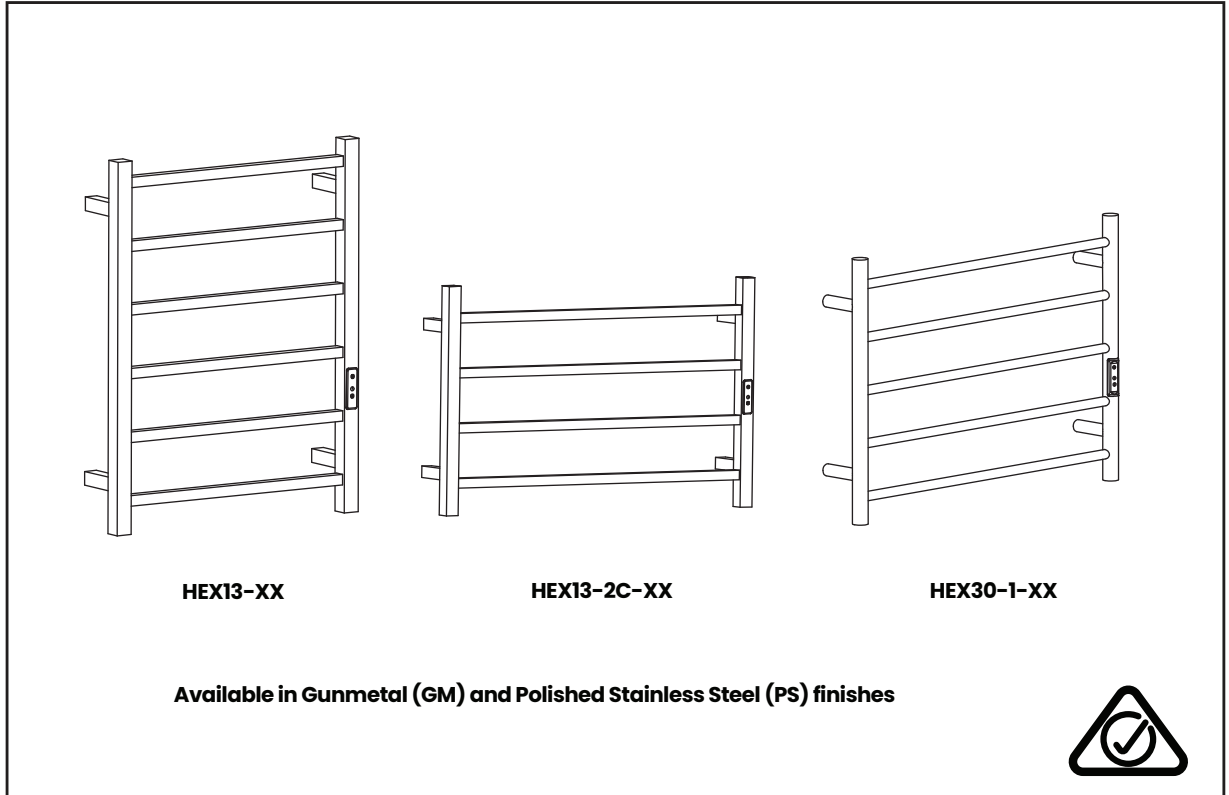


HETTA Heated Towel Rail with Timer and Variable Heat Function Installation Instructions

Congratulations on the purchase of your new Casa Lusso Heated Towel Rail, we hope you and your family enjoy your new product and consider us for any future project. Casa Lusso products have been manufactured under the highest standards of quality and workmanship.



GENERAL INFORMATION

The warranty will not apply if:

- The product has been damaged by improper use;
- The product has not been used in accordance with any applicable instruction guide;
- The purchaser has attempted to modify or repair the product;
- The purchaser has failed to observe the cleaning and maintenance guidelines;
- The product is not installed by a licenced electrician.

Important:

- This product should be installed by a licenced electrician.
- Ensure mains power is off before installation.
- Do not install within 600mm of direct wet area contact.
(ie. 600mm from bath or open shower)

To electrician: Please ensure a copy of the installation instructions is left with the end user for future reference.

FEATURES

Material: Copper-free Heated Towel Rail

Installation: Wall Mount

Rating: IP44

Voltage: 220-240V

Power: 19.5W

Premium Warranty (Domestic Use) :

3 year replacement product
1 year labour

FAILURE TO COMPLY WITH ANY OF THE ABOVE INSTRUCTIONS WILL VOID ALL WARRANTIES

When using any electrical appliance, basic safety precautions should always be observed.

READ THESE INSTRUCTIONS CAREFULLY.

This appliance is intended to warm and dry towels and therefore is hot to the touch. When used by or near young children or infirm persons, close supervision is necessary. Young children should be supervised to ensure that they do not play with the appliance.

NOTE The surface temperature of your towel rail will be 20-25 degrees higher than the ambient air temperature. Any rise in ambient air temperature is directly reflected in the appliance and as a result of this the appliance will feel hotter to the touch during warmer periods. Also, the insulation effect of towels will cause the operating temperature to increase. Example, if the ambient air temperature is 20 degrees, this will mean the towel rail surface will be approximately 40-50 degrees.

- The towel rail is to be installed so that switches and other controls cannot be touched by a person in the bath or shower.
- **DO NOT** use this appliance for any purpose other than its intended use.
- To avoid a hazard this heated towel rail **MUST NOT** be used to carry towels or any other articles that have been in contact with oil, petroleum-based products or dry-cleaning fluids.
- Use this appliance only with the voltage specified on the rating label, or elsewhere in these instructions.
- Regulations require that electrical work be carried out only by authorised persons. For your own safety and that of others ensure this is done.
- **DO NOT** immerse in any liquid.
- For service contact your nearest Authorised Service Agent.

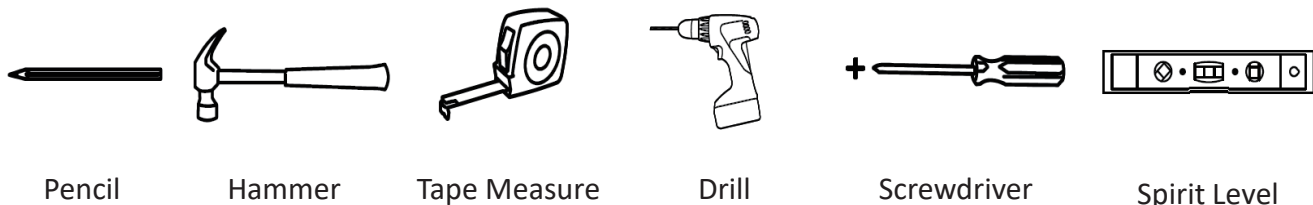
WARNING: In order to avoid a hazard for young children, this appliance must be installed so that the bottom rail is at least 600mm above the floor.

Thank you for choosing a Heated Towel Rail. This Heated Towel Rail has been designed and manufactured to high standards of engineering and with proper use and care, as described in this leaflet, will give you years of useful service. Please read these instructions carefully.

1. This Towel Rail is not intended for use by persons (including children) with reduced physical, sensory or mental capabilities, or lack of experience and knowledge, unless they have been given supervision or instruction concerning use of the Towel Rail by a person responsible for their safety.
2. Children should be supervised to ensure that they do not play with the Towel Rail.
3. In order to avoid a hazard, this Towel Rail must be installed so that the bottom rail is at least 600mm above the floor.
4. These towel rails must be located and installed in accordance with the AS/NZ 60335 and any local regulation information for mounting in damp areas.
5. This Towel Rail is intended to warm and dry towels and therefore is hot to the touch.
6. Any rise in ambient temperature is directly reflected in the Towel Rail, and as a result of this, the Towel Rail will feel hotter to the touch during warmer periods. Also, the insulation effect of towels will cause the operating temperature to increase slightly.
7. Means of disconnection must be incorporated in the fixed wiring in accordance with wiring guidelines AS/NZ60335.
8. The towel rail is to be installed so that switches and other controls cannot be touched by a person in the bath or shower.
9. Do not use this towel rail for any purpose other than its intended use.
10. To avoid a hazard this towel rail must not be used to hold towels or any other articles that have been in contact with oil, petroleum-based products or dry cleaning fluids.
11. Use this Towel Rail only with the voltage specified on the rating label.
12. Do not immerse in liquid or allow liquid to run into the interior of the Towel Rail.
13. Indoor use only.

14. Do not operate this towel rail if damaged or after the Towel Rail malfunctions or has been dropped or damaged in any manner. Return to a qualified electrical person for examination, electrical service or repair.
15. This Towel Rail is intended for household use only and not for commercial or industrial use.
16. Use this Towel Rail only as described in this manual. Any other use is not recommended by the manufacturer and may cause fire, electrical shock or injury.
17. Do not use abrasive cleaning products on this Towel Rail. Clean with a damp cloth (not wet) rinsed in hot soapy water only. Always switch off at the mains supply before cleaning.
18. Do not connect the Towel Rail to mains supply until completely assembled and adjusted.
19. Do not use this Towel Rail in a window as rain may cause electric shock.
20. Do not mount Towel Rail close to any other heat source.
21. Do not operate in areas where petrol, paint or other flammable liquids are used or stored.
22. Do not locate the Towel Rail directly below any power socket.
23. When the Towel Rail has been unpacked, check it for transport damage and ensure all parts have been delivered.
24. There are no user serviceable parts installed in the unit.
25. Do not place the unit in wardrobes or other enclosed spaces as this may cause fire hazards.
26. This unit is not supposed to be used in or around locations where foodstuffs, works of art or delicate articles of science, etc are stored.

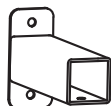
TOOLS REQUIRED



COMPONENTS



or



4 x round legs

or

4 x square legs



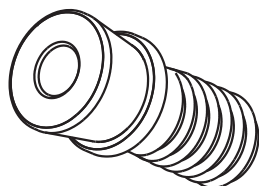
8 x Screws
for Securing Legs



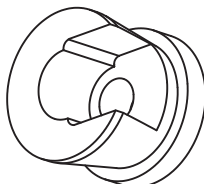
3 x Mounting Bush



4 x Long Screws
For mounting to wall



or



1 x Through Wall
Bush For Concealed
Cable

or

1 x Through Wall Bush
For Exposed Cable



4 x Wall Plugs



1 x Allen Key

FAILURE TO COMPLY WITH ANY OF THE ABOVE INSTRUCTIONS WILL VOID ALL WARRANTIES

WARNING: Installation must be completed by a licenced electrician.

Always choose a safe location for the Towel Rail, keeping in mind the safety precautions outlined. Ensure all packaging has been removed from the unit before use.

WALL MOUNTED TOWEL RAILS ARE ONLY TO BE MOUNTED ON HEAT RESISTANT WALLS THAT COMPLY WITH CURRENT AS/NZS SPECIFICATIONS & BUILDING REGULATIONS

WALL PREPARATION

The Heated Towel Rails may be fixed to any type of timber stud, steel stud or masonry (solid or cavity) wall.

Walls made from timber or steel require studs at the correct position for all rails. If the precise position can't be determined early in the job, consider sheets of 18mm construction ply, covering a larger area.

This rail has a small footprint against the wall. The wire holes and mounting holes must be drilled neatly and accurately.

For drilling through hard materials such as porcelain tiles, marble, granite etc. an appropriate drill bit must be used.

NOTE: Attempting to fix into plasterboard or cement sheeting alone is not recommended. Plasterboard in particular will not hold long term.

PRE-WIRING

NOTE: Only drill holes when you are 100% sure of your measurements.

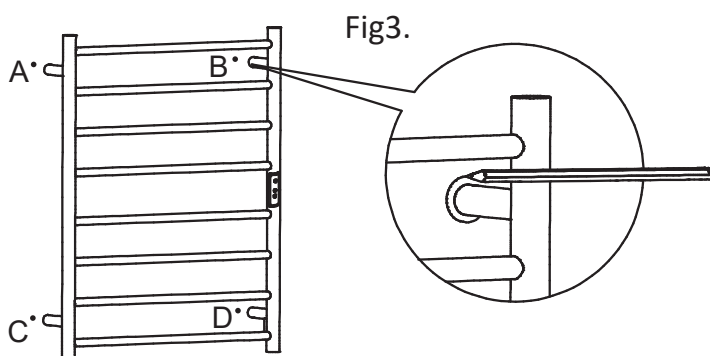
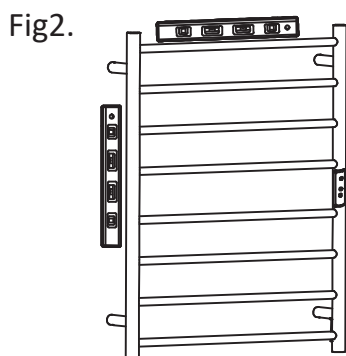
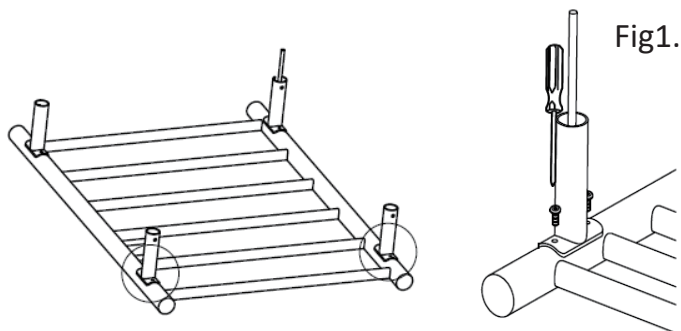
A means for disconnection must be incorporated in the fixed wiring in accordance with the wiring guidelines AS/NZ60335.

The accessory pack contains a set of 4 legs for your heated towel rail – one of which is a universal leg (used for both concealed and exposed installations)

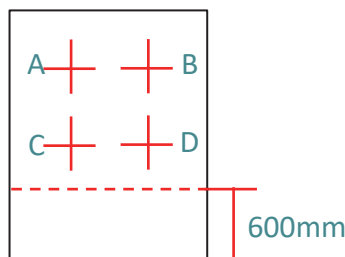


INSTALLING YOUR TOWEL RAIL

1. First attach both top legs to the towel rail using the screws provided. Each leg is fixed with 2 screws as shown in **Fig1**. Ensure the screws are not over tightened – the legs must be fixed in place to ensure accurate placement of the wall lugs in step 9. Ensure the grub screw is facing down
2. For the lower legs, select the side that will run the power cable through. This side should use the leg with the exposed wiring or concealed wiring. Now mount the other (non-powered) leg in the same manner as the top 2 legs.
3. The last lower leg should be installed in either an exposed or concealed wiring manner. For exposed wiring, ensure you include the cable guide on the cutout of the leg, to prevent any damage to the power cable. You should now have all 4 legs attached to the towel rail.
4. Select desired position to mount towel rail with at least 300mm clearance from all permanent objects in surrounding area and the bottom rung must be 600mm above the floor. The Ladder Towel Rail should be installed in accordance to local governing AS/NZS regulations.
5. Hold the towel rail against the wall in the location where you want the towel rail mounted. Ensure it is located parallel using a spirit level **Fig2**.
6. Using a pencil, mark the four legs position on the wall **Fig3**.



7. Mark the centres on the wall, note that the towel rail should be installed so that the bottom rail is at least 600mm above floor level.



FAILURE TO COMPLY WITH ANY OF THE ABOVE INSTRUCTIONS WILL VOID ALL WARRANTIES

INSTALLING YOUR TOWEL RAIL

WARNING: Only drill holes when you have held the towel rail against the wall and are 100% sure of your measurements.

8. Drill holes in the marked location to suit the screws provided, If installing into plaster board, Concrete or Block, insert wall plugs into the wall. (Fig4.)
9. For the leg, which has your powered connection you will use the Through Wall Bush.
 - If completing an **exposed cable** installation, insert a long screw through the bush, then fix into wall ensuring the fit is secure – ideally you should screw into timber for sufficient strength. Do this for the 3 remaining legs, by screwing through the center of the wall bush. (Fig5 and Fig6.)
 - If completing a **concealed cable** installation, ensure you pass the power cable through the bush before installing onto the wall (**note it should be connected electrically before the wall lug is screwed in**). Screw through the smaller hole, leaving the larger hole for the cable to exit(see Fig7). We recommend you drill through a timber joist to give it strength. For the other 3 legs, install as above.

Fig4.

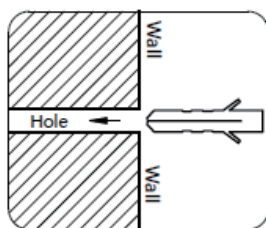


Fig5.

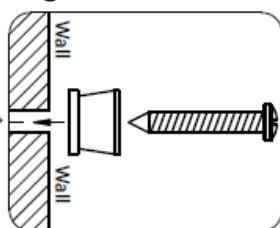


Fig6.

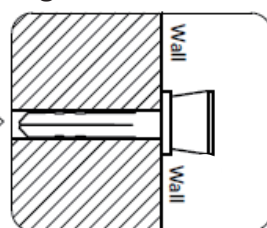
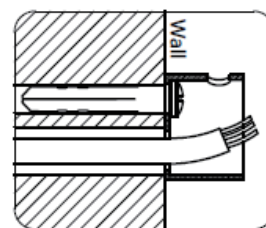
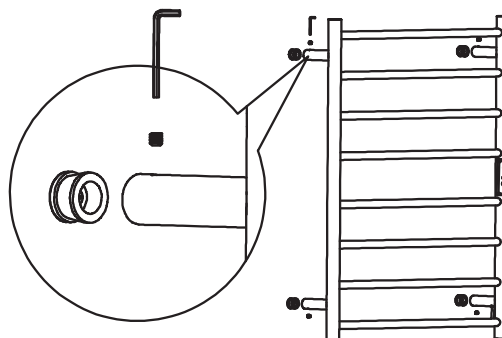


Fig7.



10. **ENSURE THE MAINS POWER IS OFF BEFORE ELECTRICAL CONNECTION** The wall end of the power cable must be connected to your house power supply by a qualified electrician. Once connected, the wall bush can be fixed to the wall in the location identified earlier. Note: Do not pull on the quick connect plug at the towel rail end, this will cause damage to the internal wires.
11. Ensure there is enough play in the power cord from the wall; to enable you to connect the towel rail and then the power cord can be pushed into the wall cavity, through the wall bush.
12. Align your towel rail over the top of the 4 mounting lugs, ensure all legs cover the lugs and sit flush against the wall. Do not force into place if the alignment is not correct. Minor adjustments can be made by loosening the legs from the towel rail slightly to allow some movement.
13. Tighten the grub screws with the Allen key supplied, this will secure your towel rail to the wall lugs. Note that the exposed wiring leg has a screw on the top to secure the wall lug.



FAILURE TO COMPLY WITH ANY OF THE ABOVE INSTRUCTIONS WILL VOID ALL WARRANTIES

DIGITAL DISPLAY SPECIFICATION

Power: AC220-240V/50HZ

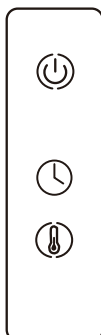
Temp Range: 30 ~ 60 °C

Time: 1-8 hours

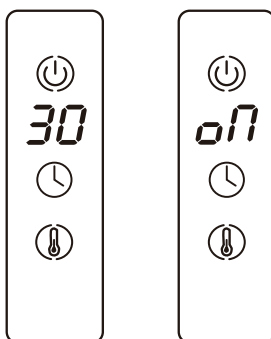
Functions: Timing. Constant Temperature

DIGITAL DISPLAY DESCRIPTION

1. Power Off: not display, as picture:



2. Power On: Temp .Range 30 °C -60 °C . Adjustable time 1-8 hours and always (ON) .








3. Heating: Timer start heating (display time/hour) As picture:



FAILURE TO COMPLY WITH ANY OF THE ABOVE INSTRUCTIONS WILL VOID ALL WARRANTIES

DIGITAL DISPLAY OPERATING INSTRUCTIONS

- 1.ON/OFF: Short press  and open it to “on press it to “off”.
- 2.Timing setting: Short press , display twinkle,time could set from 1-8 hour.Press  shows ON (ON means always on, the heated towel rail keeping heating). Press  time will be reset to 1 hour. After setting, if do not operate it, the display will stop twinkle after 5s. When the reset time finish, the timer switch itself off.
- 3.Temperature setting: Short  press display twinkle, 5 °C increment. When Temp. Arrive to 60 °C ,press it again,temperature comes back to 30 °C . After setting, if do not operate it, the display will stop twinkle after 5s.

Error Display:

When the temperature is abnormal, display shows *Er* , As picture:



ELECTRICIAN INFORMATION

A copy of this User Manual should be left with the consumer for future reference.

A means for disconnection must be incorporated in the fixed wiring in accordance with the wiring guidelines AS/NZ60335.

HEAT CONTROL

These towel rails run at a single temperature. Be aware they do get very hot to the touch.

CAUTION: The Towel Rail generates heat during use. Proper precautions must be taken to prevent the risk of burns, scalds, fires or other damage to persons

Do not attempt to dismantle the Towel Rail. There are no user serviceable parts. For service or repair, contact an authorised electrical service technician.

CARE AND CLEANING

The Towel Rail requires regular cleaning to ensure longevity of the product.

Turn off the isolating switch before cleaning. For additional protection, turn the mains supply off before cleaning.

Ensure that the towel rail has been allowed to cool down completely before cleaning.

Use a soft damp cloth (not wet) to wipe the exterior of the towel rail to remove dust and dirt.

Never use solutions such as benzene, thinners or polishing agents.

Never use abrasive materials like steel wool / scourers to scrub the towel rail.

Ensure the Towel Rail is dry before switching back on the mains supply and isolating switch.

RUST

Surface rust can occur on stainless steel over time. To avoid this the Heated Towel Rail is best wiped down from time to time with a damp cloth and a stainless-steel cleaner. Fine scratching can be removed using a metal polish such as 'Autosol' or 'Brasso' Paste which are available from most supermarkets and car care shops.