



INSTALLATION

INSTRUCTIONS

**FAILURE TO COMPLY WITH ANY OF THE INSTRUCTIONS
IN THIS GUIDE WILL VOID ALL WARRANTIES**

www.casalusso.com.au

JASPER Wall Hung Vanity
INSTALLATION GUIDE

INSTALLATION INSTRUCTIONS

Congratulations on the purchase of your new Casa Lusso Vanity. We hope you enjoy your new product and consider us for future projects. Casa Lusso products have been manufactured under the highest standards of quality and workmanship.

Please ensure you read the following instructions below prior to installation.

GENERAL INFORMATION

The warranty will not apply if:

- The product has been damaged by improper use;
- The product has not been used in accordance with any applicable instruction guide;
- The purchaser has attempted to modify or repair the product;
- The purchaser has failed to observe the Care Instructions guide

Important:

- Take care while transporting and handling goods
- This product should be installed by a qualified, licensed Tradesperson.

To Tradesperson:

- Please ensure a copy of the installation instructions is left with the end user for future reference.

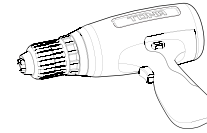
WARRANTY

5 year replacement product and parts: 1 year labour

PRIOR TO INSTALLATION

Ensure the vanity contents is inspected fully prior to installation. If damage has occurred, or a visible defect exists, do not proceed with installation and advise supplier immediately. Warranty will be void if the product has been installed.

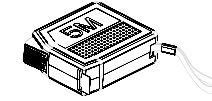
TOOLS REQUIRED FOR INSTALLATION



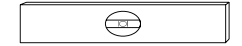
Electric/Battery Drill



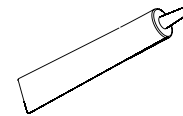
Drill Bit



Tape Measure



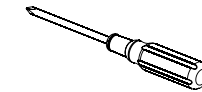
Spirit Level



Kitchen & Bathroom
Non-Acidic Silicone



Pencil



Screw Driver

CARE INSTRUCTIONS

To allow your products to remain as elegant as the day they were installed please read the guide below.

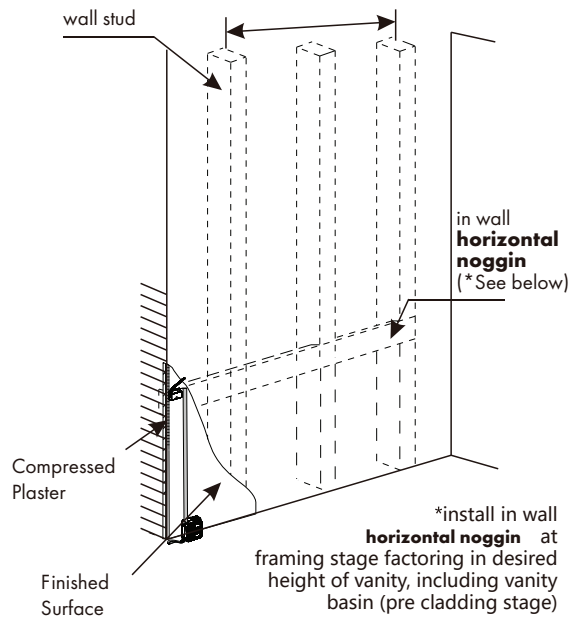
DOOR AND CABINET CARE:

Regular cleaning with a damp cloth is sufficient. Never use strong detergents or abrasive cleaners as this may damage the surface finish of your furniture.

WALL HUNG VANITY WITH WALL BRACKET SYSTEM FOR HOLLOW WALLS

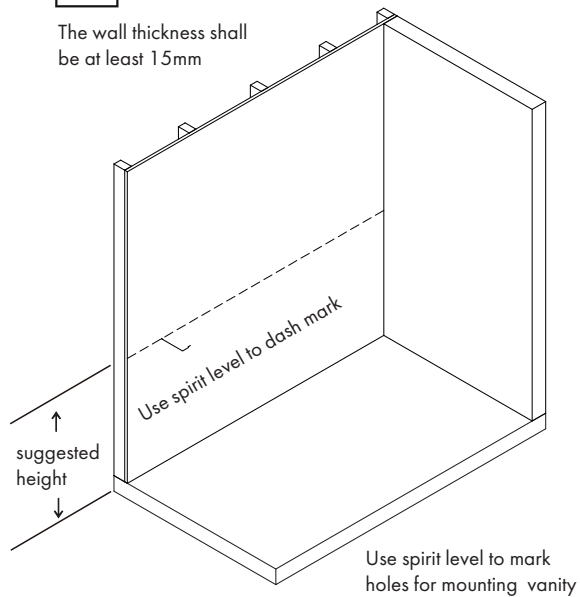
600mm, 750mm and 900mm

1 Pre-cladding



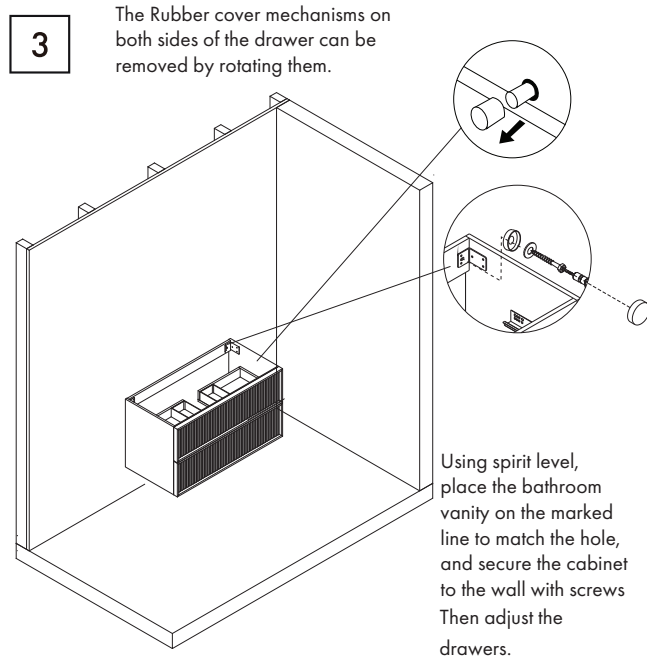
2 Post-cladding

The wall thickness shall be at least 15mm

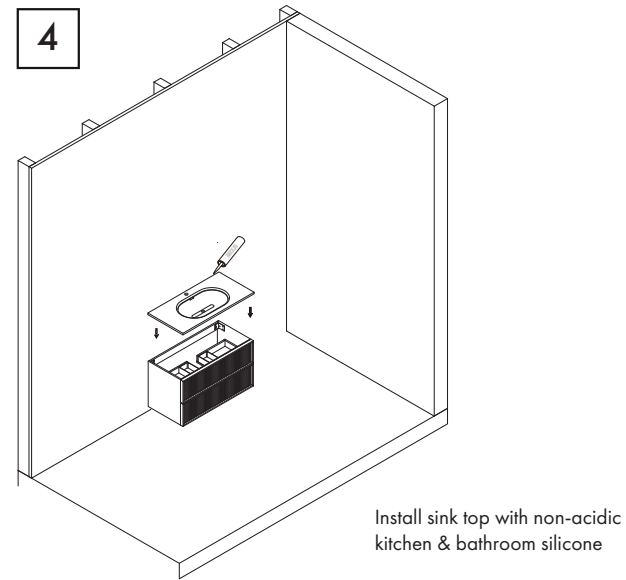


The suggested height with under counter basin is: 800mm
the suggested height with countertop basin is: 760mm

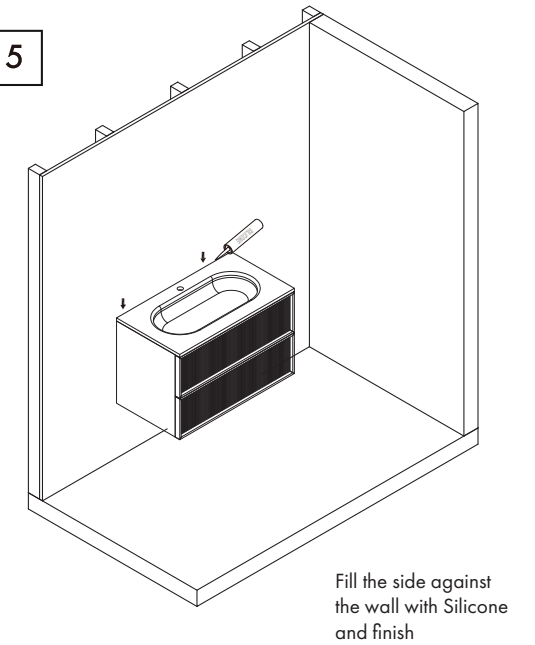
3



4



5



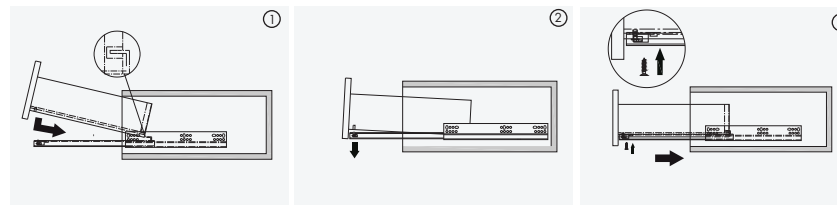
6 The unit must be sealed along the back edge of the top and down the sides against the wall with non acidic bathroom and kitchen silicone. Seal around the cabinet with silicone.

7 Please note when installing an undermount basin or counter basin onto a stone top, they must be siliconed on. When the silicone has dried ensure you caulk around the basin and stone top.

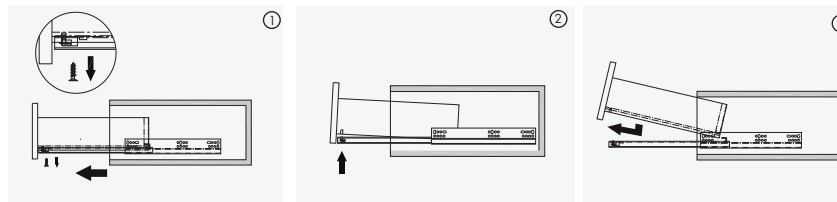
8 The vanity is now ready for the tapware and waste installation.

DRAWER ADJUSTMENT AND REMOVAL HETTICH QUICK ASSEMBLY DRAWER SLIDE

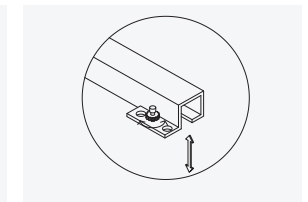
Installation



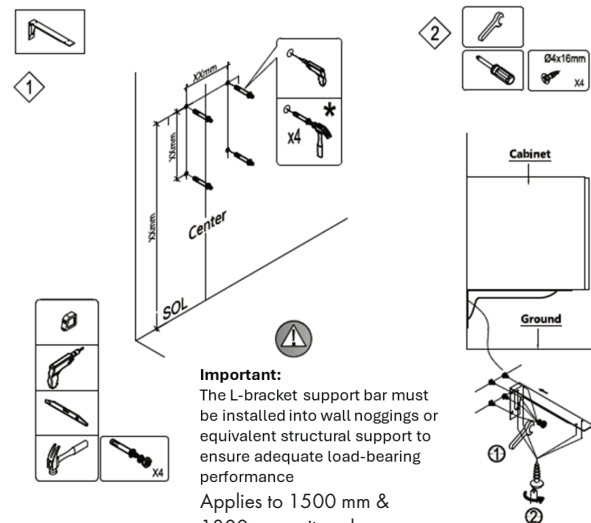
Removal



Adjustment



How to install the Support Bar

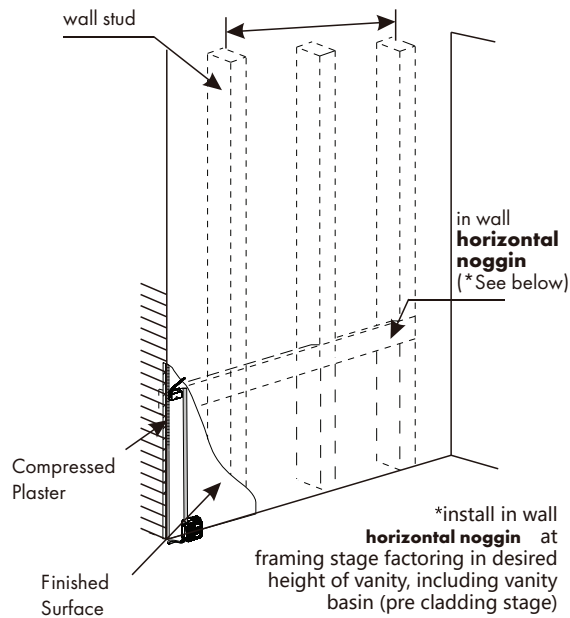


FAILURE TO COMPLY WITH ANY OF THE INSTRUCTIONS
IN THIS GUIDE WILL VOID ALL WARRANTIES
www.casalusso.com.au

WALL HUNG VANITY WITH WALL BRACKET SYSTEM FOR HOLLOW WALLS

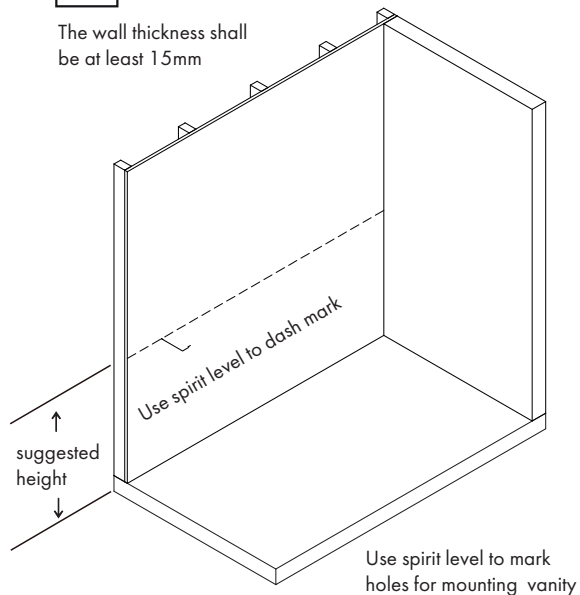
1200mm

1 Pre-cladding



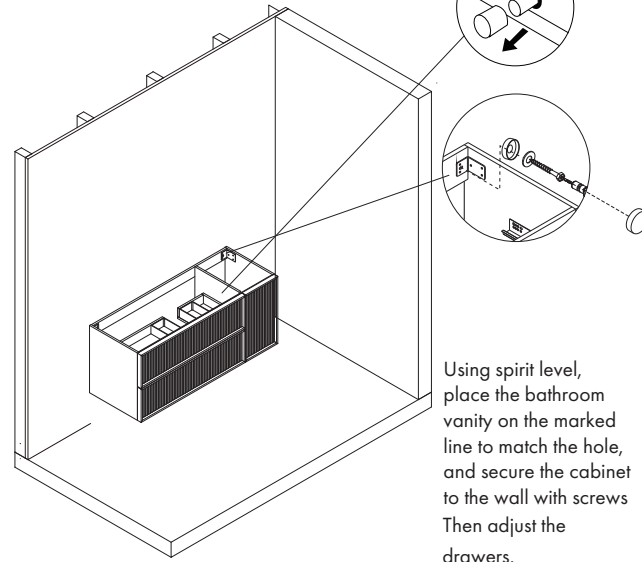
2 Post-cladding

The wall thickness shall be at least 15mm

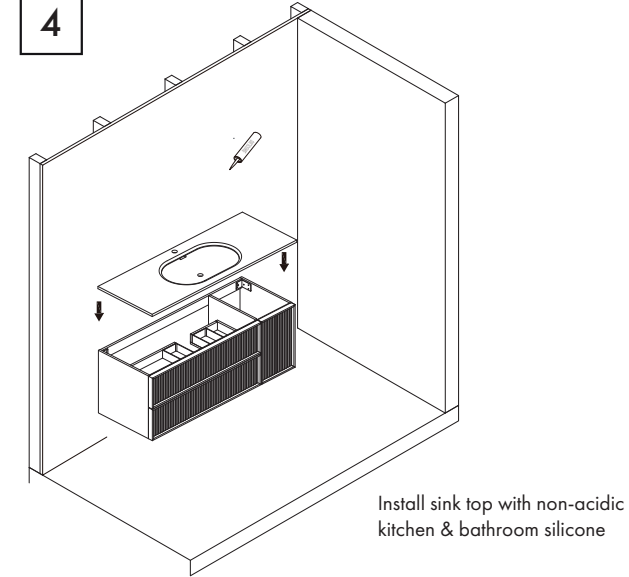


The suggested height with under counter basin is: 800mm
the suggested height with countertop basin is: 760mm

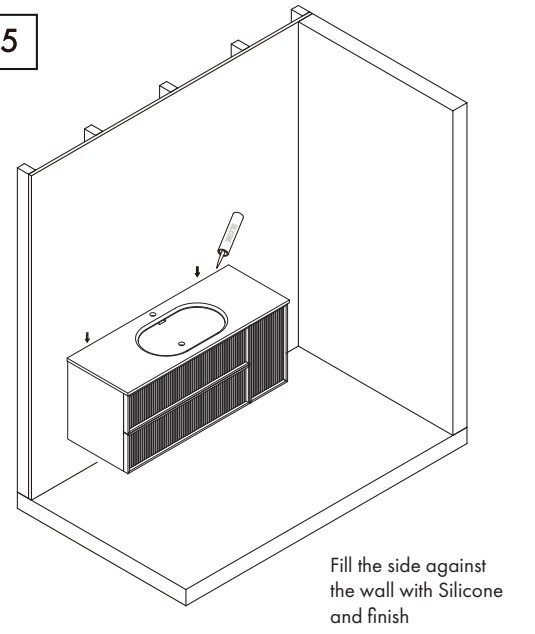
3



4



5



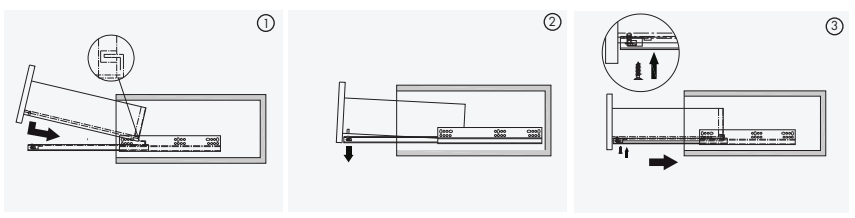
6 The unit must be sealed along the back edge of the top and down the sides against the wall with non acidic bathroom and kitchen silicone. Seal around the cabinet with silicone.

7 Please note when installing an undermount basin or counter basin onto a stone top, they must be siliconed on. When the silicone has dried ensure you caulk around the basin and stone top.

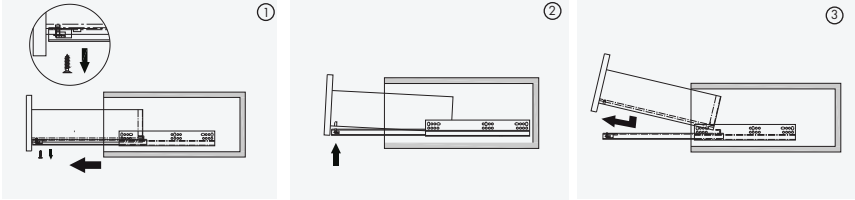
8 The vanity is now ready for the tapware and waste installation.

DRAWER ADJUSTMENT AND REMOVAL HETTICH QUICK ASSEMBLY DRAWER SLIDE

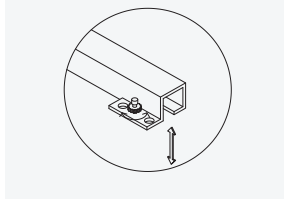
Installation



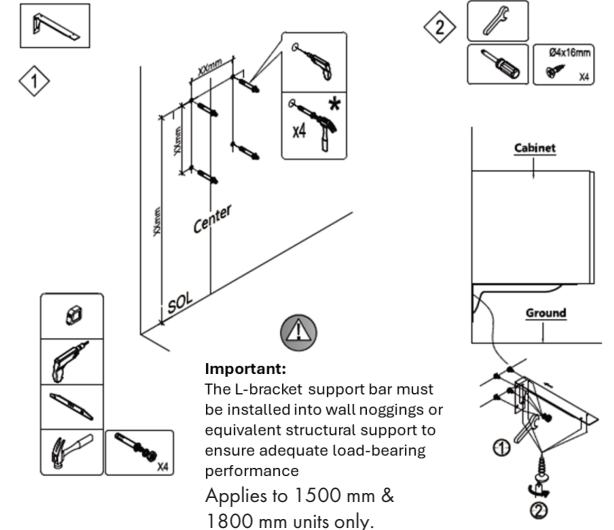
Removal



Adjustment



How to install the Support Bar

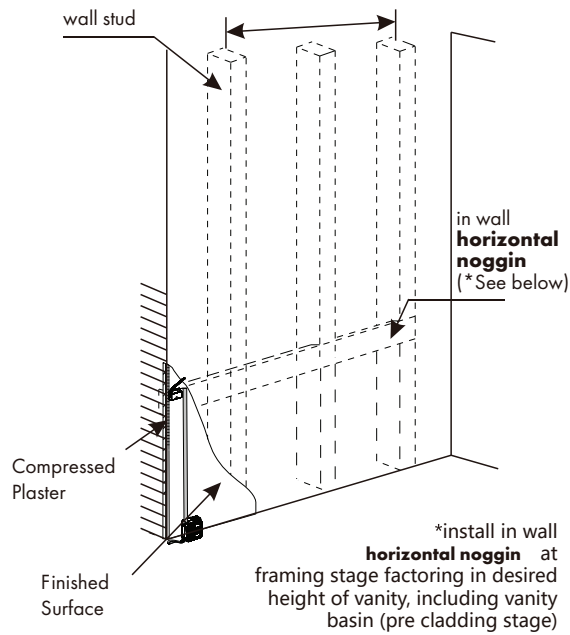


FAILURE TO COMPLY WITH ANY OF THE INSTRUCTIONS IN THIS GUIDE WILL VOID ALL WARRANTIES
www.casalusso.com.au

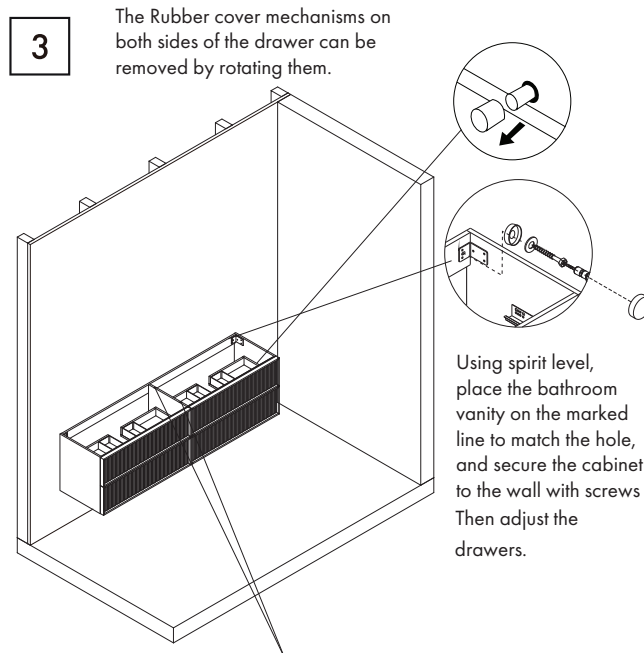
WALL HUNG VANITY WITH WALL BRACKET SYSTEM FOR HOLLOW WALLS

1500 & 1800mm

1 Pre-cladding

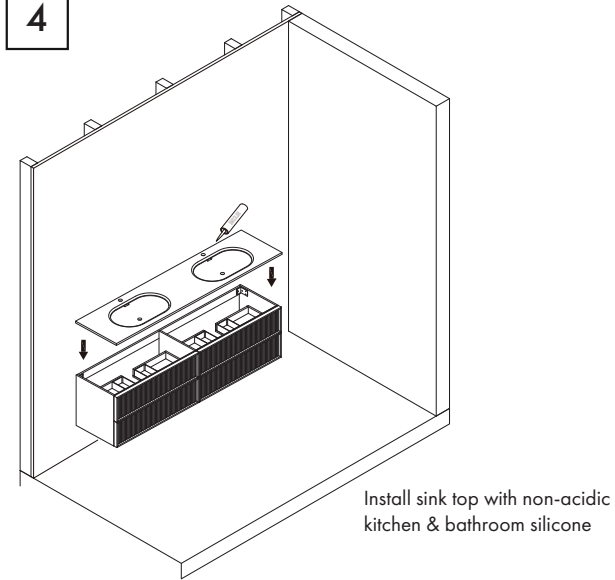


3

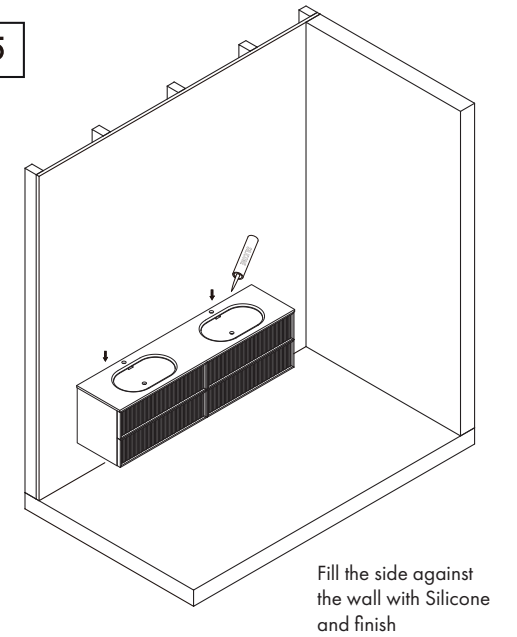


Position the supplied black foam packers under the vanity top for final levelling; if additional adjustment is required, horseshoe packers may be used in the same locations (not supplied). Verify the top is level and aligned before sealing. Applies to 1500 mm & 1800 mm units only

4



5



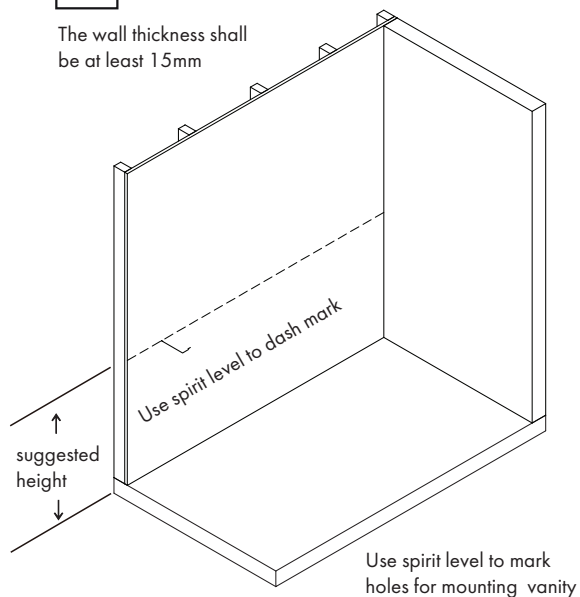
6 The unit must be sealed along the back edge of the top and down the sides against the wall with non acidic bathroom and kitchen silicone. Seal around the cabinet with silicone.

7 Please note when installing an undermount basin or counter basin onto a stone top, they must be siliconed on. When the silicone has dried ensure you caulk around the basin and stone top.

8 The vanity is now ready for the tapware and waste installation.

2 Post-cladding

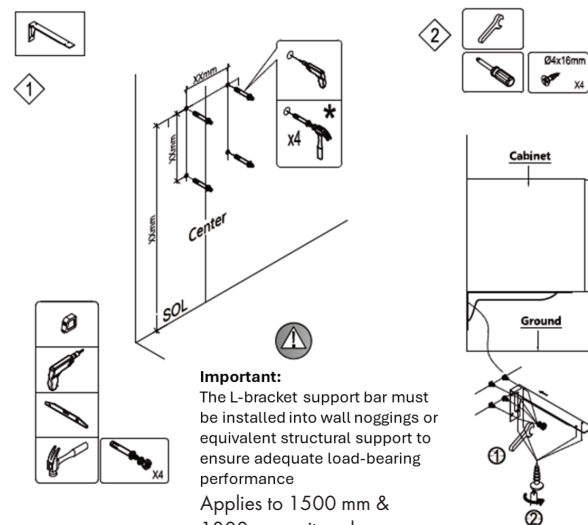
The wall thickness shall be at least 15mm



Use spirit level to mark holes for mounting vanity

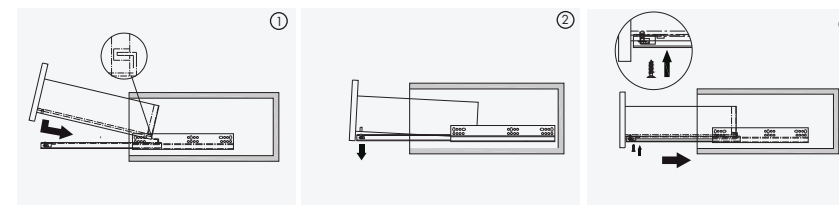
The suggested height with under counter basin is: 800mm
the suggested height with countertop basin is: 760mm

How to install the Support Bar

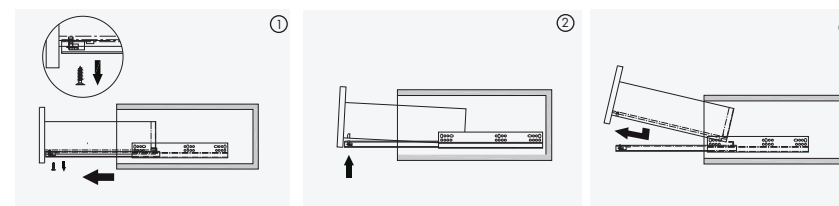


DRAWER ADJUSTMENT AND REMOVAL HETTICH QUICK ASSEMBLY DRAWER SLIDE

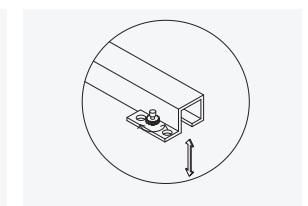
Installation



Removal



Adjustment



FAILURE TO COMPLY WITH ANY OF THE INSTRUCTIONS IN THIS GUIDE WILL VOID ALL WARRANTIES
www.casalusso.com.au