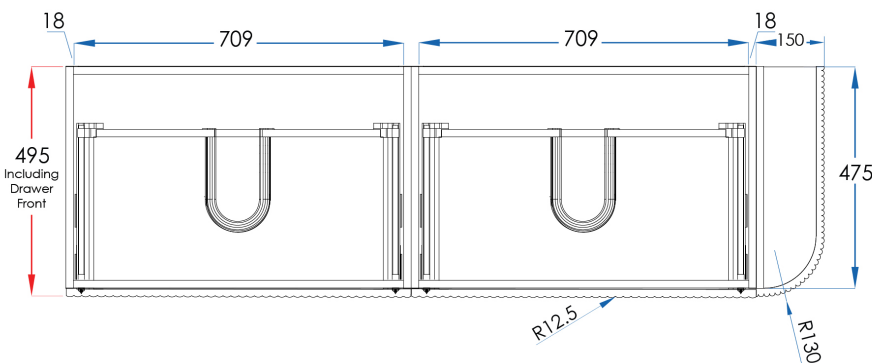
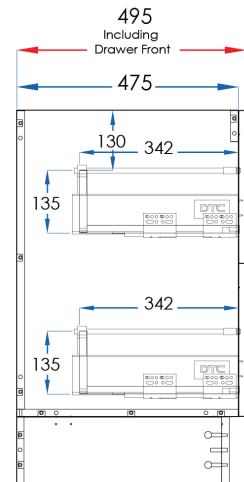
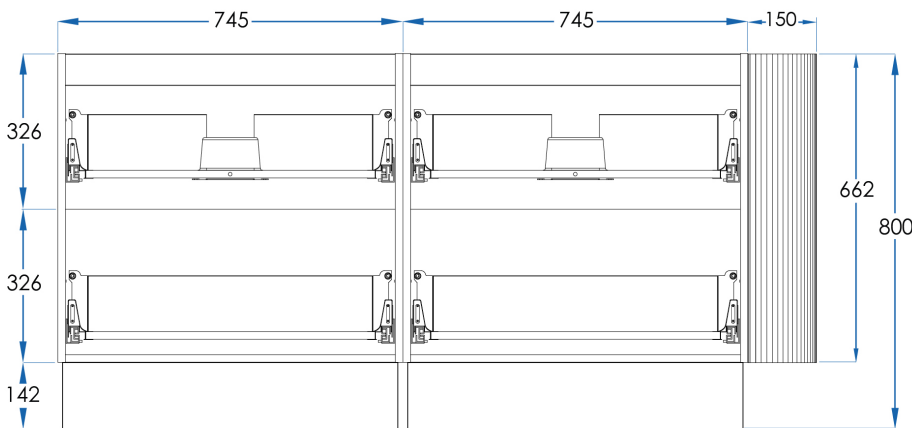
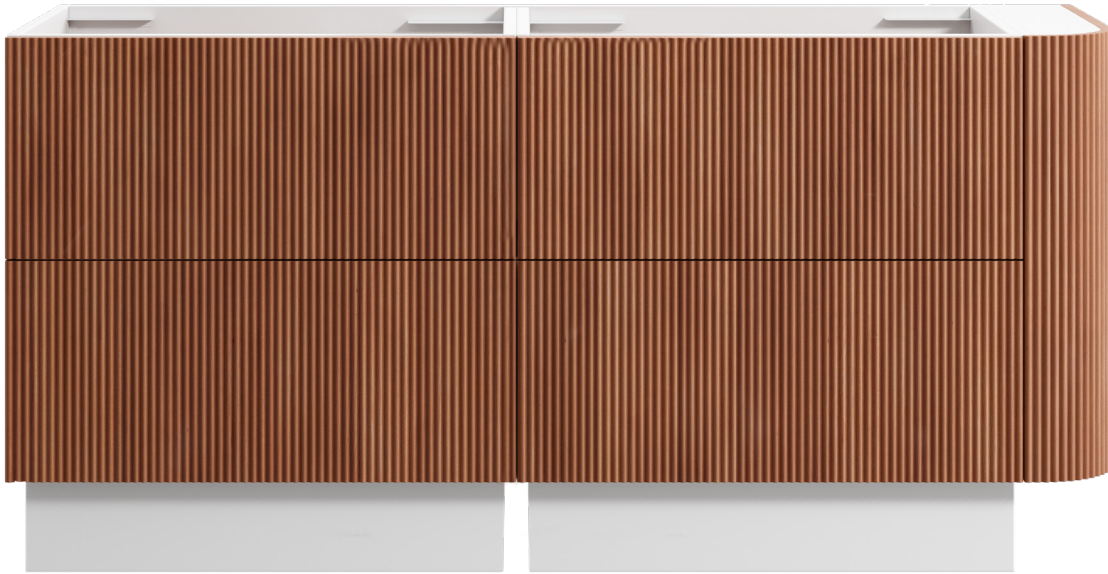


KIMBERLEY

Corner Floor Mount Vanity 1650mm Beech Finish

5
YEAR
WARRANTY



SPECIFICATIONS

Combined Size
Material

1640x800x495mm (Including Drawers)
Moisture resistant MDF with Timber Veneer drawer fronts and 1x curved corner. DTC drawer runner systems for the 600 to 1200mm options. The 1500mm cabinet uses Hettich drawer hardware. Both are soft closing.

Colour/Finish
Installation

Timber Beech
Floor Mount. Corner Cabinet can be installed either to the Left or Right side of Cabinet.

Code
Warranty
Notes

KHF1650-T
5 Year replacement product and parts: 1 year labour
Tops, Handles, Tapware and Basins Sold Separately

Disclaimer

This product is comprised of natural materials. Each piece is unique to the next and will have colour variations including knots, texture and grain variations that will vary between each piece. Please be aware your product may not appear as per the image shown online or displayed in-store.

CASA LUSSO

Available at **hb** Highgrove Bathrooms.com.au

Due to our policy of continuous development, all designs and measurements are intended only as a guide and are subject to change without notice. Being hand made products they are subject to a size variance E&OE. This brochure is representative of the actual products at time of printing. Please confirm all particulars before purchase. Casa Lusso recommends having the product on site before commencing rough in. For our own established efforts supporting environmental and health preservation all of our Vanities are made to the commercially recognised E1 Standard.