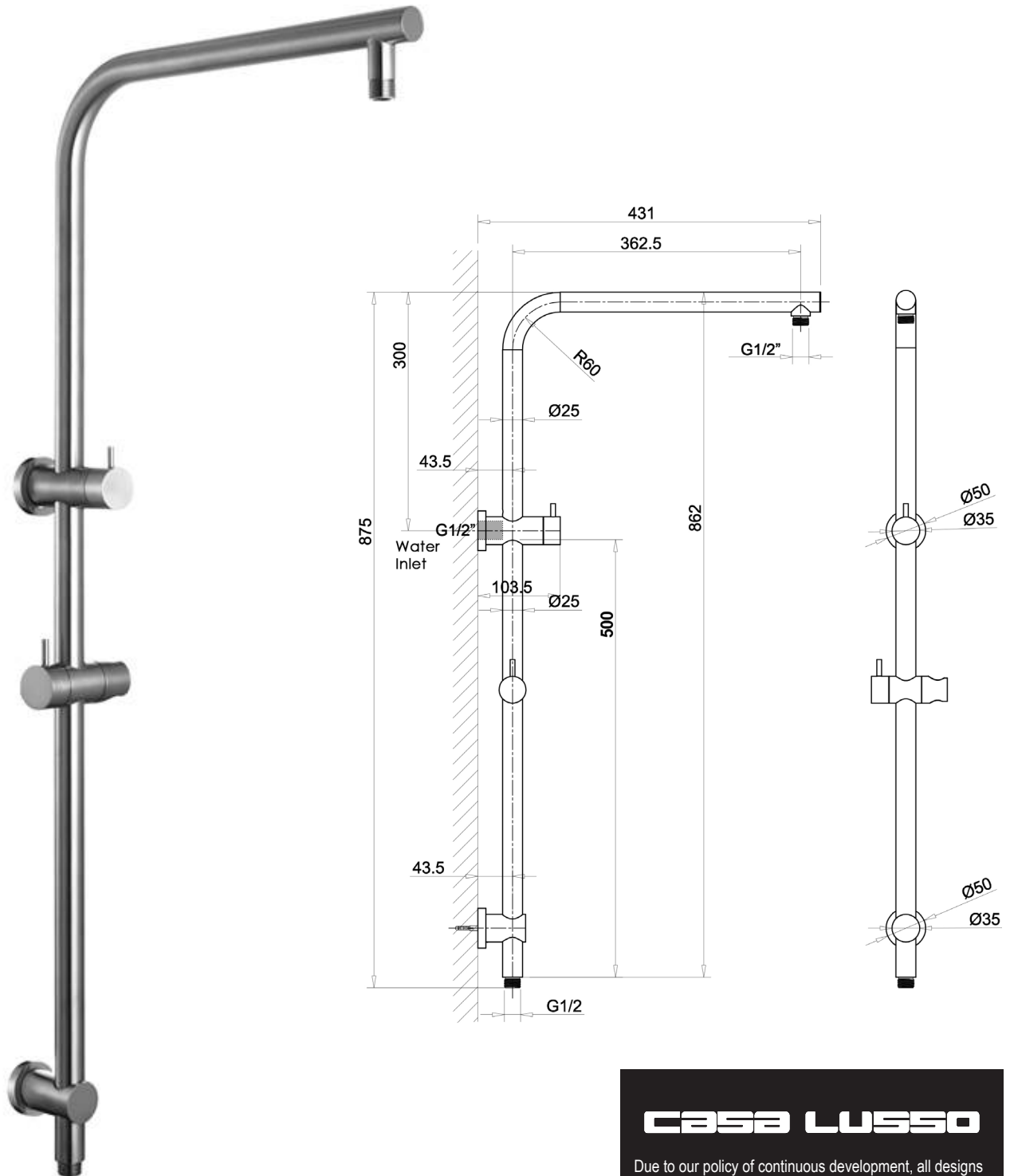


OMEGA

System Integrated Shower System Brushed Nickel

5
YEAR
WARRANTY



SPECIFICATIONS

Features	Contemporary design and functionality. Built in diverter allows you to easily switch from overhead to hand shower. Height adjustable and lockable slide mechanism. Suitable for brand new or retrofit installation.
Material Code	Solid brass construction sliding rail and fixing brackets with a Brushed Nickel finish. OMG02-BN
Warranty	5 year replacement product or parts

CASA LUSO

Due to our policy of continuous development, all designs and measurements are intended only as a guide and are subject to change without notice. Being hand made products they are subject to a size variance E&OE. This brochure is representative of the actual products at time of printing. Please confirm all particulars before purchase. Casa Lusso recommends having the product on site before commencing rough in.

Available at

hb Highgrove Bathrooms
www.highgrovebathrooms.com.au