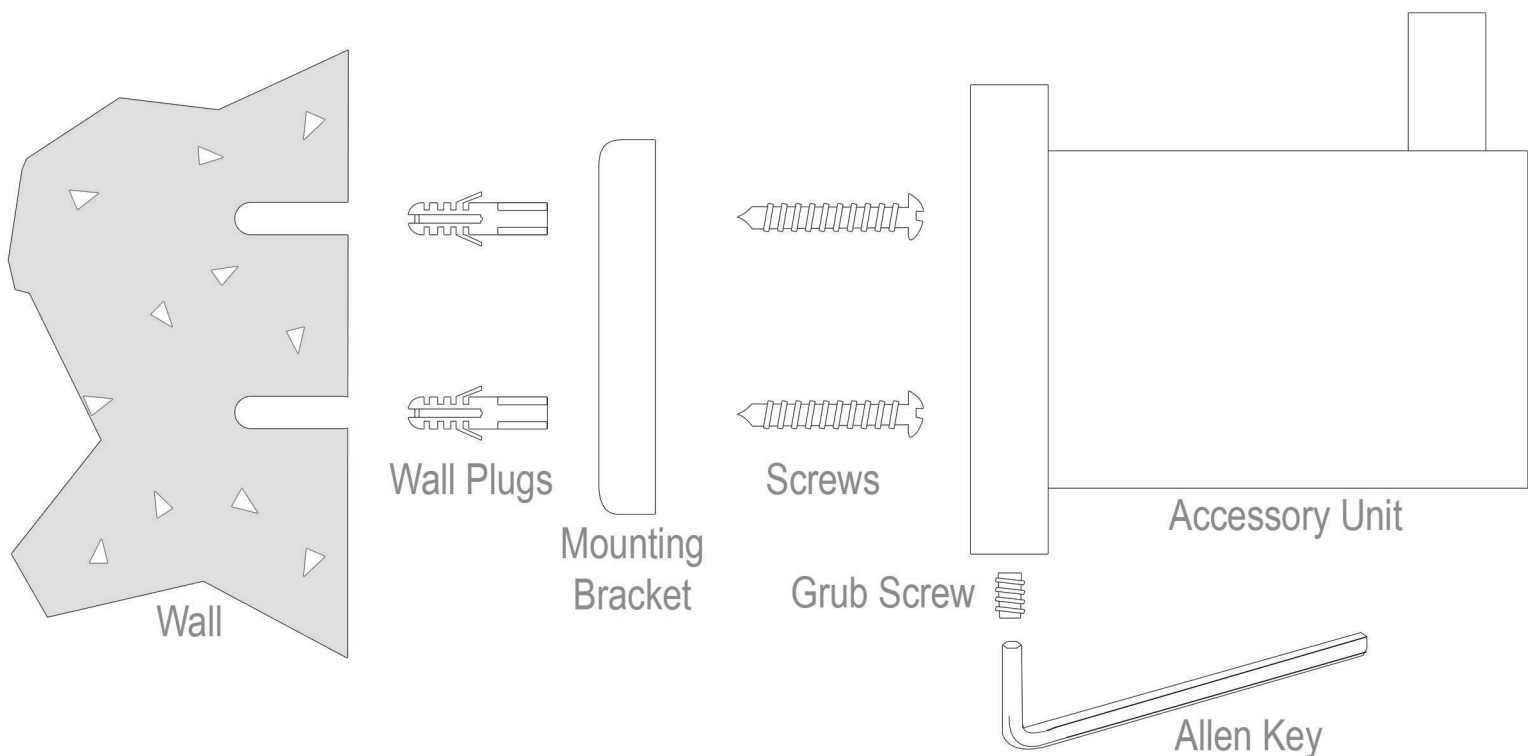


BATHROOM ACCESSORIES

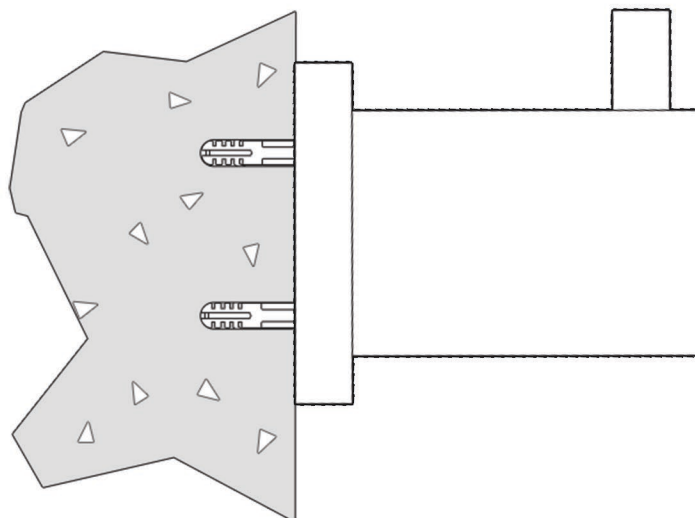
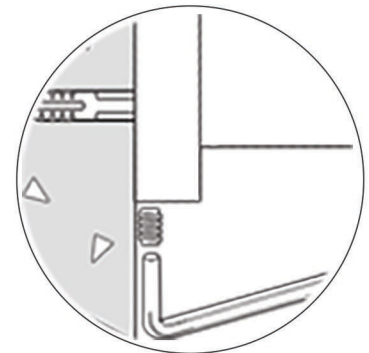
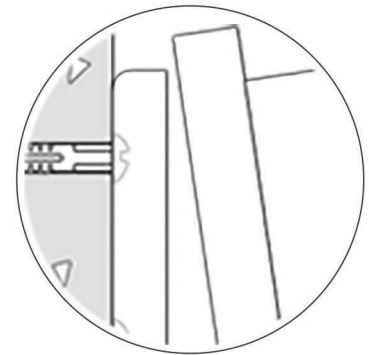
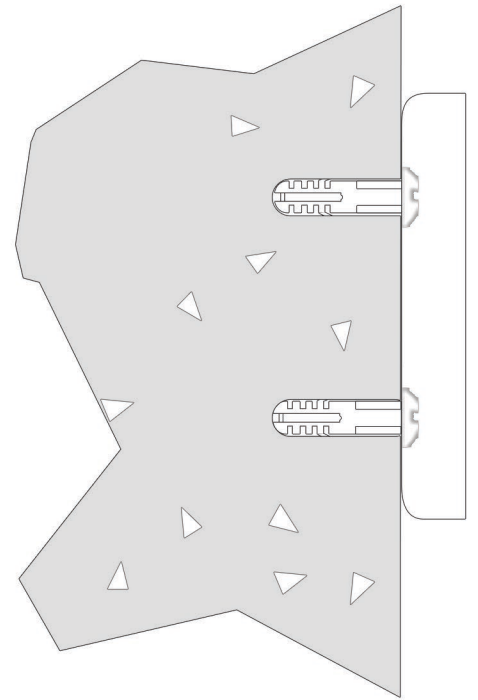
INSTALLATION INSTRUCTIONS

Each Bathroom Accessory unit includes the following items to assist with installation:

1. Wall Plugs
2. Mounting Bracket
3. Screws
4. Accessory Unit
5. Allen Key
6. Grub Screw



1. Select an appropriate location to install your product, pierce wall with drill bit to a depth of approximately 35mm.
2. Insert the plastic wall plugs into drilled cavity.
3. Position mounting bracket and secure with screws making sure it's firmly fastened.
4. Attach accessory unit to the mounting bracket as per the diagram. Ensure grub screw is positioned on the bottom side closest to the floor.
5. Secure accessory unit by tightening grub screw with Allen Key.
6. Once fastened, the accessory unit should be ready for use.





BATHROOM ACCESSORIES

PRODUCT WARRANTY DETAILS

Casa Lusso products have been manufactured under the highest standards of quality and workmanship. Casa Lusso warrants for the following periods:

Premium Accessories - 7 Years replacement product or parts
Standard Accessories - 2 Years replacement product or parts

A replacement for any defective part will be supplied free of charge for installation by you. Defects or damage caused by the use of other than genuine Casa Lusso parts are not covered by this warranty. This warranty shall be effective from the date of purchase as shown on the original purchaser's receipt.

This warranty is valid for the original purchaser only and excludes product damage due to installation error, product abuse, or product misuse, whether performed by a contractor or yourself. Casa Lusso will not be responsible for labour charges, and/or damage incurred in installation, repair or replacement, nor for incidental or consequential damages. This warranty gives you specific legal rights and you may also have other rights which may vary from state to state.

For claims, simply contact the authorised Casa Lusso Reseller/Agent you purchased the product from.

BATHROOM ACCESSORIES

PRODUCT CARE & MAINTENANCE RECOMMENDATIONS

- Where your accessories remain dry in use, regularly clean your product with a soft damp cloth, followed by a dry cloth to ensure product finish is maintained.
- Do not use undue pressure and wipe in one direction only.
- Never use harsh detergents, solvents or abrasive cleaners, as these will scratch the surface causing irreparable damage.
- Under no circumstances should you install accessories using acetone silicones.
- Use of wax based furniture cream, should be avoided as this can result in a build-up of deposits, which can detract from the appearance.