



INSTALLATION

INSTRUCTIONS

**FAILURE TO COMPLY WITH ANY OF THE INSTRUCTIONS
IN THIS GUIDE WILL VOID ALL WARRANTIES**

www.casalusso.com.au

PROVENCE & REEF
VANITY INSTALLATION GUIDE

INSTALLATION INSTRUCTIONS

Congratulations on the purchase of your new Casa Lusso Vanity. We hope you enjoy your new product and consider us for future projects. Casa Lusso products have been manufactured under the highest standards of quality and workmanship.

Please ensure you read the following instructions below prior to installation.

GENERAL INFORMATION

The warranty will not apply if:

- The product has been damaged by improper use;
- The product has not been used in accordance with any applicable instruction guide;
- The purchaser has attempted to modify or repair the product;
- The purchaser has failed to observe the Care Instructions guide

Important:

- Take care while transporting and handling goods
- This product should be installed by a qualified, licensed Tradesperson.

To Tradesperson:

- Please ensure a copy of the installation instructions is left with the end user for future reference.

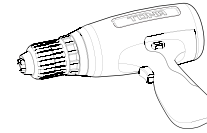
WARRANTY

5 year replacement product and parts: 1 year labour

PRIOR TO INSTALLATION

Ensure the vanity contents is inspected fully prior to installation. If damage has occurred, or a visible defect exists, do not proceed with installation and advise supplier immediately. Warranty will be void if the product has been installed.

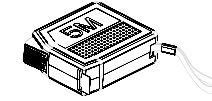
TOOLS REQUIRED FOR INSTALLATION



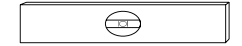
Electric/Battery Drill



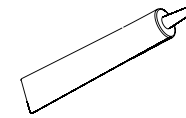
Drill Bit



Tape Measure



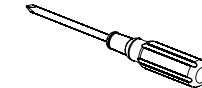
Spirit Level



Kitchen & Bathroom
Non-Acidic Silicone



Pencil



Screw Driver

CARE INSTRUCTIONS

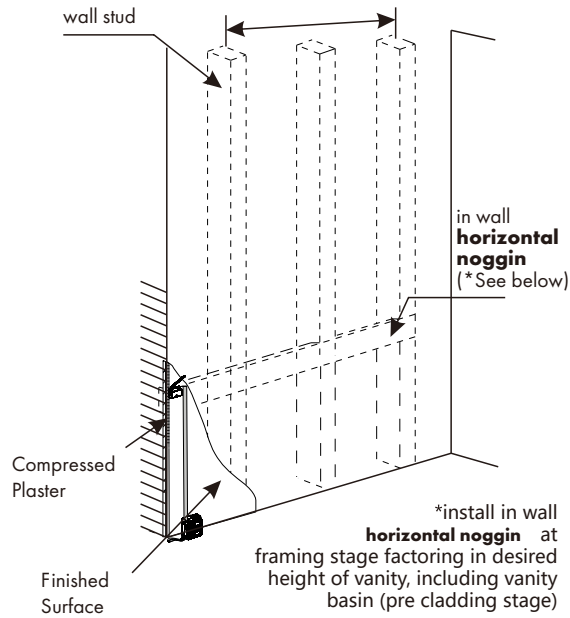
To allow your products to remain as elegant as the day they were installed please read the guide below.

DOOR AND CABINET CARE:

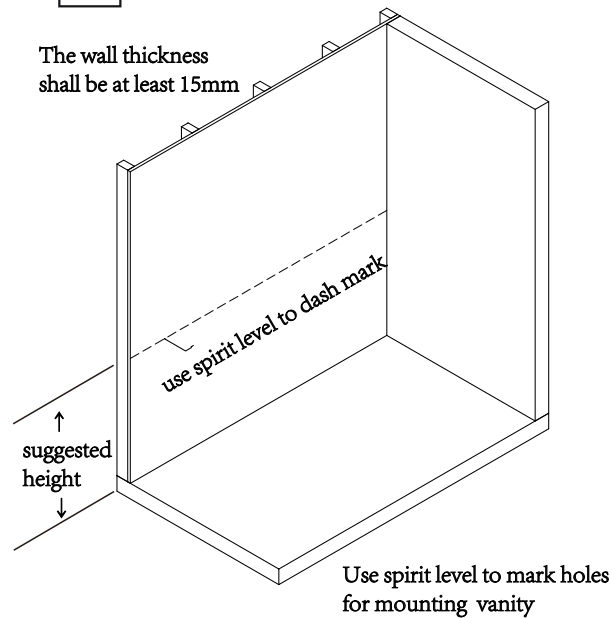
Regular cleaning with a damp cloth is sufficient. Never use strong detergents or abrasive cleaners as this may damage the surface finish of your furniture.

WALL HUNG VANITY WITH WALL BRACKET SYSTEM FOR HOLLOW WALLS

1 Pre-cladding



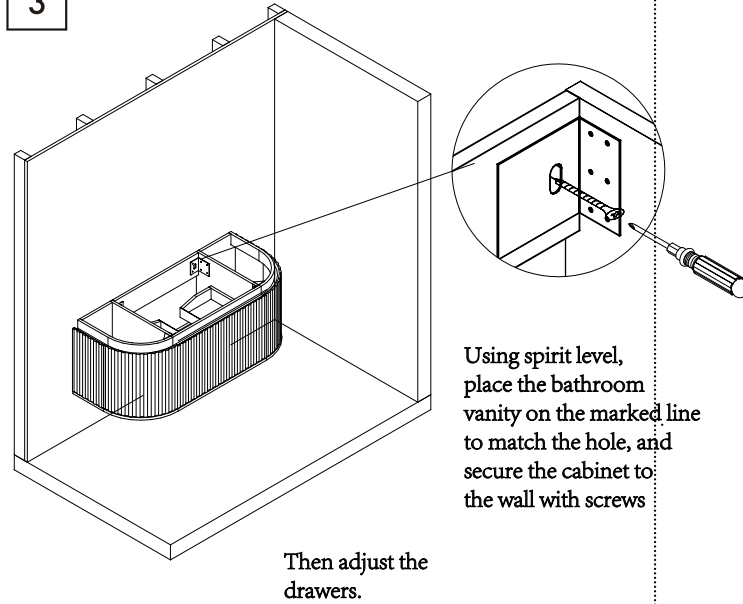
2 Post-cladding



The suggested height with under counter basin is: 800mm
the suggested height with countertop basin is: 760mm

4

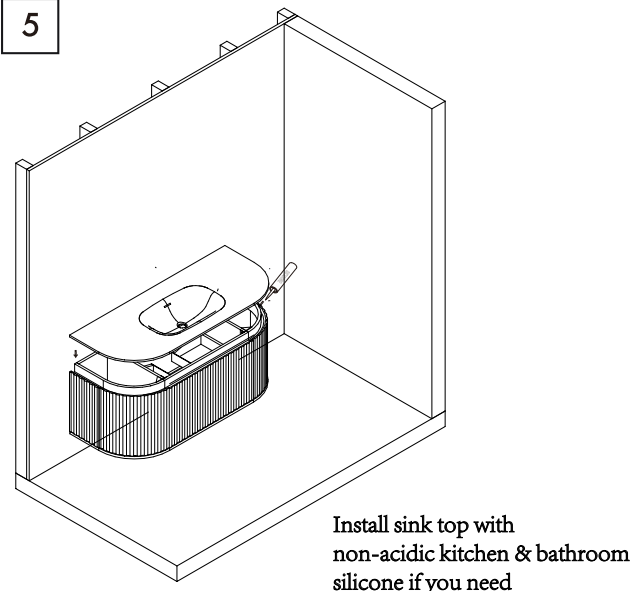
3



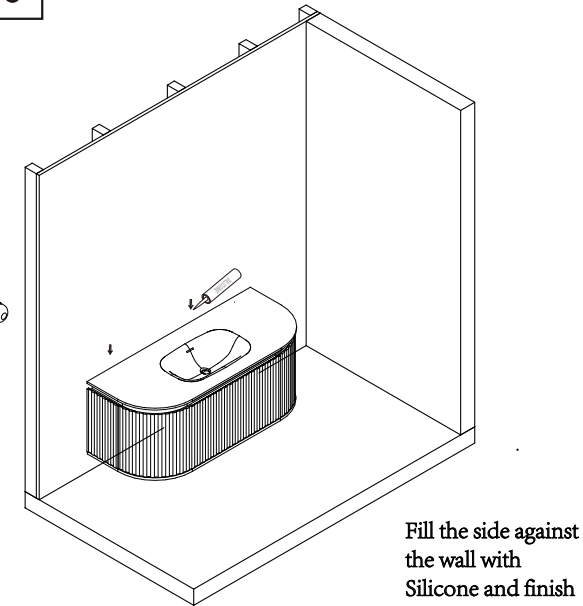
4

To avoid damage remove cabinet drawers. Cover the drawer runners with plastic sheet to prevent debris from getting into the mechanism. Refer to the Drawer Adjustment and Removal section on page 5.

5



6



7

The unit must be sealed along the back edge of the top and down the sides against the wall with non acidic bathroom & kitchen silicone. Seal around the cabinet with silicone.

8

Please note when installing an undermount basin or counter basin onto a stone top, they must be siliconed on. When the silicone has dried ensure you caulk around the basin and stone top.

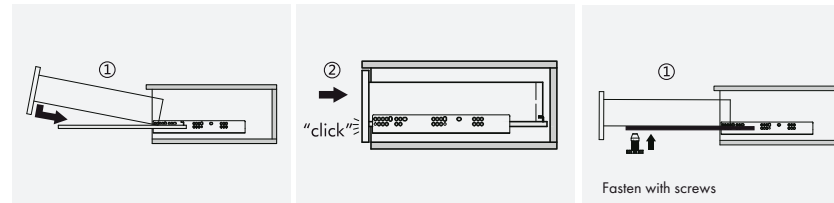
9

The vanity is now ready for the tapware and waste installation.

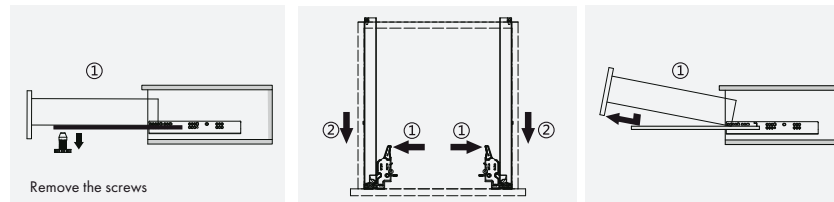
DRAWER ADJUSTMENT AND REMOVAL

UNIHOOPER QUICK ASSEMBLY DRAWER SLIDE

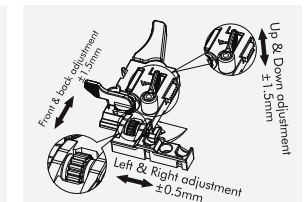
Installation



Removal



Adjustment



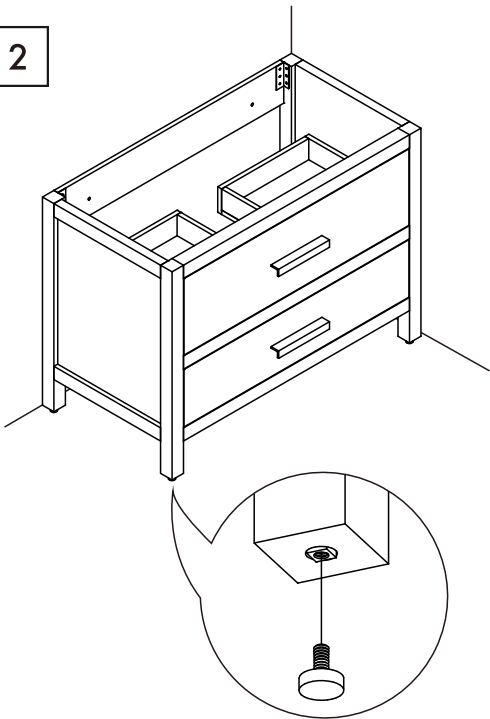
5

FREESTANDING VANITY (WITH ADJUSTING SCREWS)

1

Use spirit level, mark & install all brackets level

2



Reverse the carton while unpacking, cabinet legs upward, turn the leg end screws.

Note: Do not fix the screws when turn, left distance used to adjust.

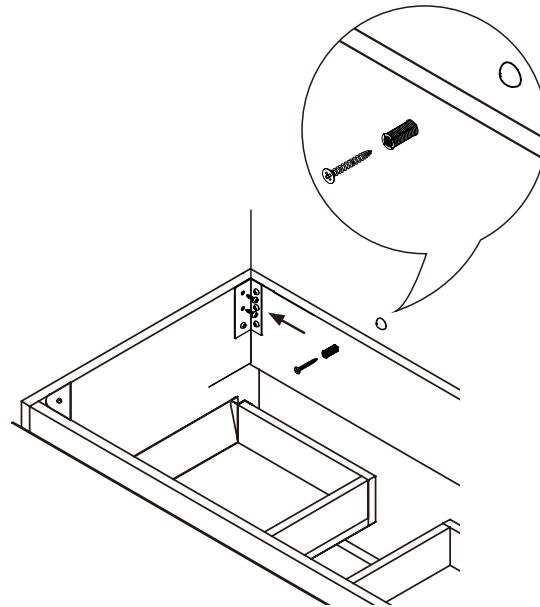
Reverse the cabinet.

Note: The process needs two workers to avoid the drawers come out.

It's necessary to measure the cabinet level to adjust well.

3

Place vanity onto wall in the desired height. Check level from side to side and front to back. Packers may be required to level vanity unit and prevent cabinet from twisting once vanity is level fasten to wall using screws, cap and boss provided. Installers must check and adjust to avoid mistakes.



IMPORTANT: All fixing screws that hold the vanity unit onto the wall must fix through wall into horizontal noggin. Failure to do so will result in vanity falling off wall.

4

The unit must be sealed along the back edge of the top and down the sides against the wall with non acidic bathroom & kitchen silicone.

5

Please note when installing an undermount basin or counter basin onto a stone top, they must be siliconed on. When the silicone has dried ensure you caulk around the basin and stone top.

6

The vanity is now ready for the tapware and waste installation.