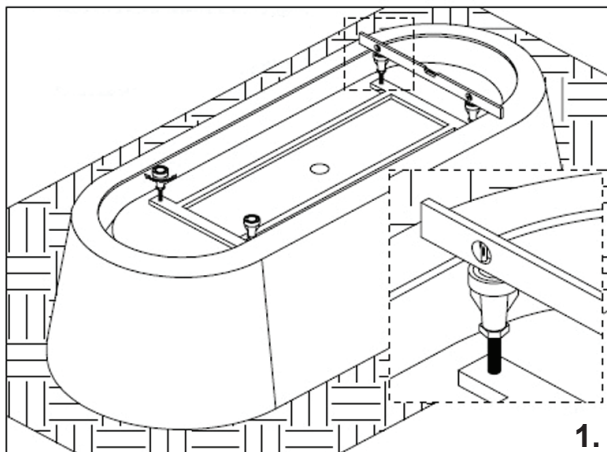
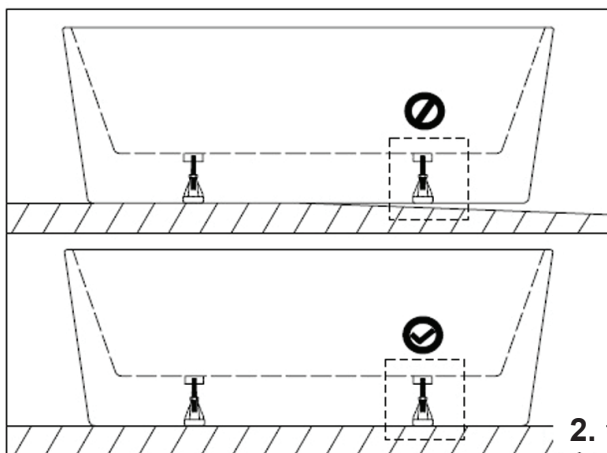


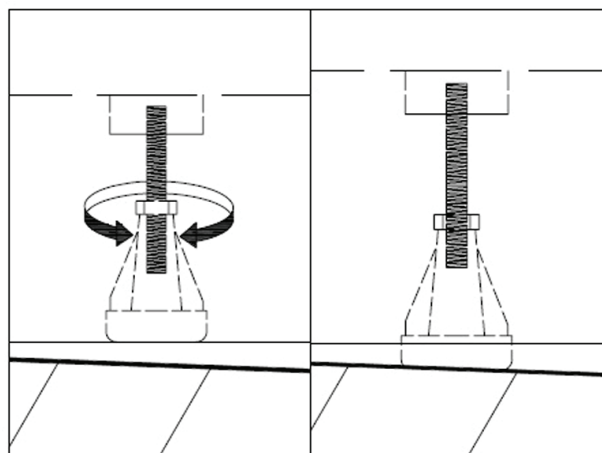
CONGRATULATIONS ON THE PURCHASE OF YOUR NEW CASA LUSSO TAPWARE, WE HOPE YOU AND YOUR FAMILY ENJOY YOUR NEW PRODUCT AND CONSIDER US FOR ANY FUTURE PROJECTS. CASA LUSSO PRODUCTS HAVE BEEN MANUFACTURED UNDER THE HIGHEST STANDARDS OF QUALITY AND WORKMANSHIP



Assemble bath on a mat to protect against damage to bath surface. Ensure legs are adjusted in line with the base of bath. Ensure you have approximately 3-5mm of space between the bottom of the bath and finished floor surface. This prevents cracking of the bath shell. If the bath was to be installed hard against the floor the weight of water and the person/s having the bath can cause the bath to crack as there is no room for movement/flex.

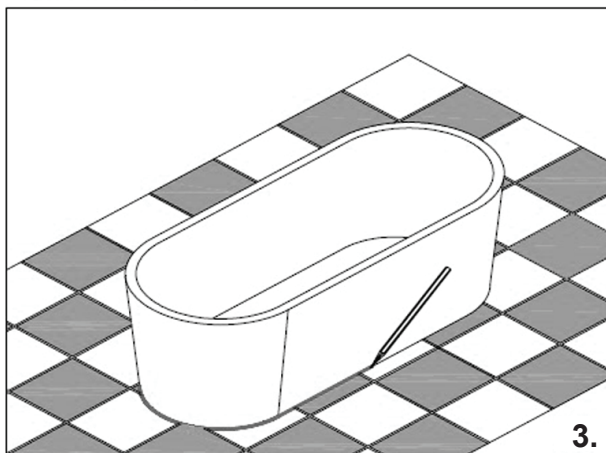


Check that bath sits flat; if required adjust legs to compensate for floor level. Once the bath has been levelled, ensure that the nut has been tightened on all feet.

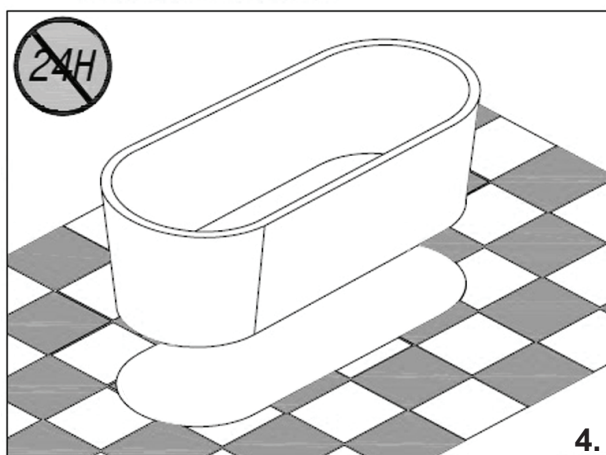


⚠ Before step 3 set waste connection in position. This installation guide does not include details of waste connection; final decision about installation of waste connection should be advised by a licenced plumber.

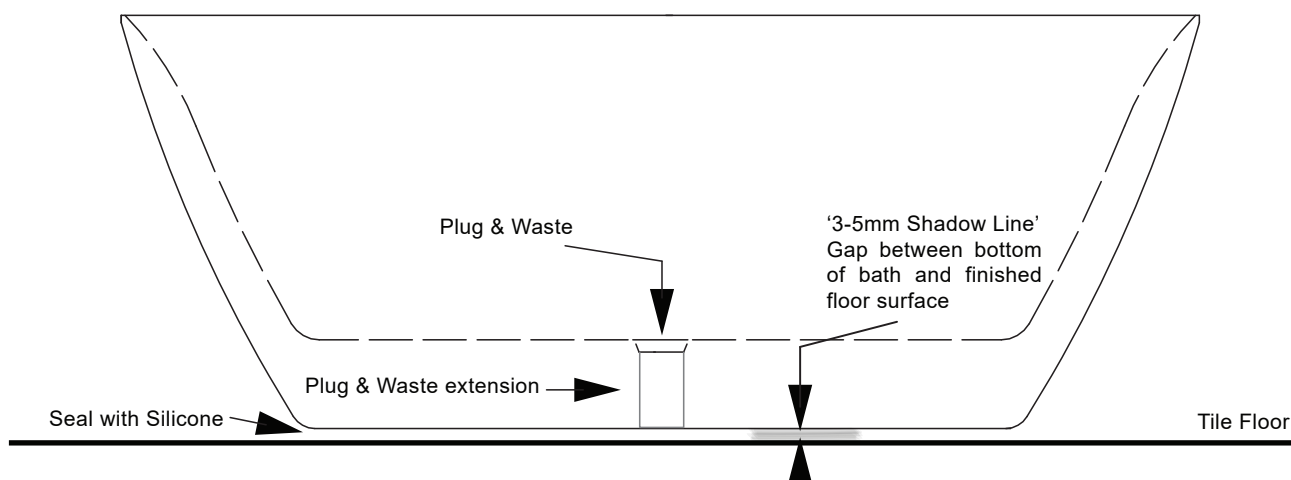
FAILURE TO COMPLY WITH ANY OF THE ABOVE INSTRUCTIONS WILL VOID ALL WARRANTIES



With a pencil trace outline of the bath.



Upon placement of the bath in the final location add water to the bath to generate weight to prevent the bath moving on the tile floor. In the 3-5mm shadow line under the bath insert polystyrene spaghetti, this will fill the shadow line and determine how far back the silicone can go on the underside of the bath skirt. Pump silicone into the shadow line which will result in a bead depth of only a few MM, enough to seal the bath to the floor. Once the silicone is set discharge the water from the bath.



FAILURE TO COMPLY WITH ANY OF THE ABOVE INSTRUCTIONS WILL VOID ALL WARRANTIES