

**CONGRATULATIONS ON THE PURCHASE OF YOUR NEW CASA LUSSO TAPWARE, WE HOPE YOU AND YOUR FAMILY ENJOY YOUR NEW PRODUCT AND CONSIDER US FOR ANY FUTURE PROJECT. CASA LUSSO PRODUCTS HAVE BEEN MANUFACTURED UNDER THE HIGHEST STANDARDS OF QUALITY AND WORKMANSHIP.**



SPIN Chrome  
SP176-CH



MESH Chrome  
SPM176-CH



SPIN Matte Black  
SP176-MB



MESH Matte Black  
SPM176-MB



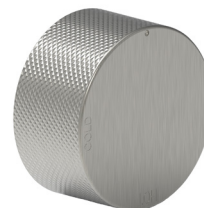
SPIN Brushed Brass  
SP176-BB



MESH Brushed Brass  
SPM176-BB



SPIN Brushed Nickel  
SP176-BN



MESH Brushed Nickel  
SPM176-BN



**WaterMark**  
AS/NZS 3718  
LN030023  
Casa Lusso

### GENERAL INFORMATION

#### MAINTENANCE

- Clean regularly using mild soap and dry with a soft cloth.
- Do not use abrasive cleaners, harsh detergents or citrus based cleaners on any products as these will scratch the surface.
- Tightening or adjustment of Tapware over time is considered general maintenance.
- Failure to clean/replace aerators/flow restrictors as required will void warranty.
- Damage to finishes that arise from installation or post installation will void warranty.

#### The warranty will not apply if:

- The product has been damaged by improper use;
- The product has not been used in accordance with any applicable instruction guide;
- The purchaser has attempted to modify or repair the product;
- The purchaser has failed to observe the cleaning and maintenance guidelines;
- The product is not installed by a licenced Plumber.
- Flow controllers/ aerators not regularly cleaned/ replaced.

Product warranties are personal to the person who acquires the product for their own consumption or use and not for resale or resupply. Claims with this product cannot be made by anyone other than the consumer. Where a product is covered by parts and labour warranty, the warranty covers both the repair of the defective part or the provision of a spare part to replace the defective part and the installation of that part. Where a product is covered by parts only, the warranty covers both the repair of the defective part or the provision of a spare part in replacement. It does not include the removal of the defective part or the installations of the repaired or replaced part. We reserve the right to provide minor components (e.g. handles, aerators, hoses, dress rings and washers) as 'Parts Only' to the customer. Casa Lusso reserves the right to alter, or amend this warranty offer in writing at any time.

### FEATURES

#### Product Code:

SP176-CH / SP176-MB / SP176-BB / SP176-BN  
SPM176-CH / SPM176-MB / SPM176-BB / SPM176-BN

#### Premium Warranty (Domestic Use) :

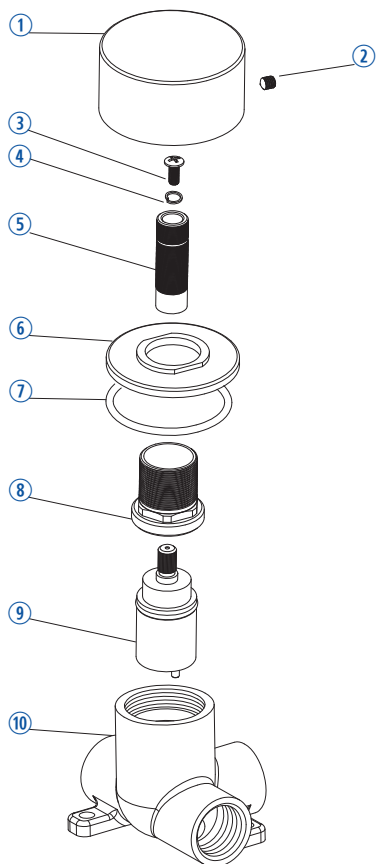
Lifetime Flühs cartridge replacement only  
7 year Replacement products and parts<sup>1</sup>  
1 year parts & labour<sup>2</sup>

#### Material: Plated Solid Brass Construction

Made to Australian Standards code:  
AS/NZS 3718  
Water supply - Tapware LN030023

<sup>1</sup> Excludes Damage to ceramic disk cartridges from pieces of copper tube, plastic tube, sand, dirt or thread tube etc. All speciality finishes are subject to 2 year replacement product and parts and 1 year replacement product and parts & labour. <sup>2</sup> Jumper valves and ceramic disk spindles; 1 year parts only.

**FAILURE TO COMPLY WITH ANY OF THE ABOVE INSTRUCTIONS WILL VOID ALL WARRANTIES**



### CONTENTS

- ① Handle
- ② Hex Key Screw
- ③ Screw
- ④ Washer
- ⑤ Sleeve
- ⑥ Base Plate
- ⑦ O-ring
- ⑧ Pressing Nut
- ⑨ Flühs Cartridge
- ⑩ Mixer Body

### IMPORTANT

#### IT IS IMPORTANT TO FLUSH OUT THE WATER PIPES BEFORE INSTALLING THE MIXER.

- Hot and cold water inlet pressures should be equal.
- Inlet pressure range: 150 – 500 kPa
- New Regulation:  
500 kPa maximum operating pressure at any outlet within a building. (Ref. AS/NZS 3500)
- Maximum hot water temperature: 80°C.

### INSTALLATION

1. The thickness of your Tile/Glue/Sheet should be calculated prior to installation; it is suggested that a Nogging should be set 64mm in from the estimated outside finished Tile/Wall to give you adjustment +/-6mm. Alternatively see below:  
Setting the Nogging 40mm behind the face of wall stud will give you a Tile/Glue/Sheet thickness variance of 18-30mm.  
Setting the Nogging 45mm behind the face of wall stud will give you a Tile/Grout/Sheet thickness variance of 13-25mm.

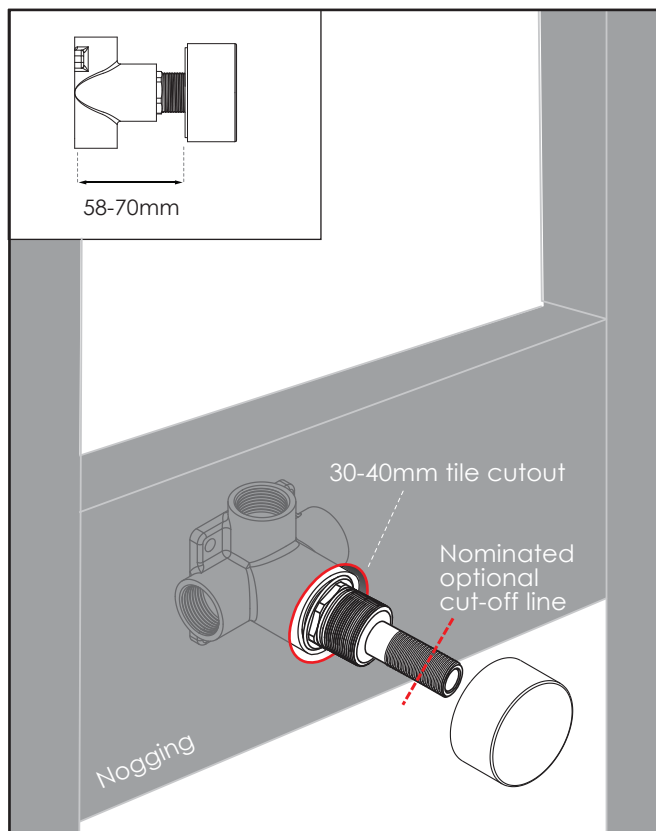
2. Level the top point of the mixer and fix using screws to Nogging, making sure the Mixer is aligned square.

**IT IS IMPORTANT TO FLUSH OUT THE WATER PIPES BEFORE INSTALLING THE MIXER**

3. Connect the water supply to the Hot/Cold inlets of the mixer body marked H and C.  
While there is construction in process after mixer body is installed, we recommend removal of the dress finishing's (i.e handle etc) until final fit off to ensure the finishing's aren't scratched or damaged by trades. The nominated hole cut out for the tiler should be 30-40mm diameter.

5. For fit off, screw on the base plate and place handle over to assess fit, if the handle can be pushed back to 1-2mm from finished wall then tighten the Hex Key to fit, if not the Brass sleeve has a nominated cut-off line that will give you the adjustment to push the handle back another 2-10mm. Do not cut past the cut-off line.

6. Re-install Handle on to mixer body whilst in off position, positioning the off (•) symbol to the top of the mixer, tighten Hex Key.



**FAILURE TO COMPLY WITH ANY OF THE ABOVE INSTRUCTIONS WILL VOID ALL WARRANTIES**