

## SYMMETRY Wall Bath Spout - Installation Instructions

Product Code - SYM090-180 / SYM090-220

**CONGRATULATIONS ON THE PURCHASE OF YOUR NEW CASA LUSSO TAPWARE.  
WE HOPE YOU AND YOUR FAMILY ENJOY YOUR NEW PRODUCT AND CONSIDER US FOR ANY  
FUTURE PROJECT. CASA LUSSO PRODUCTS HAVE BEEN MANUFACTURED UNDER THE  
HIGHEST STANDARDS OF QUALITY AND WORKMANSHIP.**



Gunmetal



Brushed  
Nickel



Champagne  
Gold



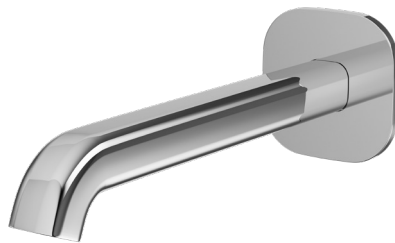
Polished  
Stainless Steel



Titanium  
Bronze



Brushed  
Champagne  
Gold



SYM090-180 / SYM090-220 - Wall Bath Spout



WARRANTY

### GENERAL INFORMATION

#### MAINTENANCE

- Clean regularly using mild soap and dry with a soft cloth.
- Do not use abrasive cleaners, harsh detergents or citrus based cleaners on any products as these will scratch the surface.
- Tightening or adjustment of Tapware over time is considered general maintenance.
- Failure to clean/replace aerators/flow restrictors as required will void warranty.
- Damage to finishes that arise from installation or post installation will void warranty.

#### The warranty will not apply if:

- The product has been damaged by improper use;
- The product has not been used in accordance with any applicable instruction guide;
- The purchaser has attempted to modify or repair the product;
- The purchaser has failed to observe the cleaning and maintenance guidelines;
- The product is not installed by a licenced Plumber.
- Flow controllers/ aerators not regularly cleaned/ replaced.

Product warranties are personal to the person who acquires the product for their own consumption or use and not for resale or resupply. Claims with this product cannot be made by anyone other than the consumer. Where a product is covered by parts and labour warranty, the warranty covers both the repair of the defective part or the provision of a spare part to replace the defective part and the installation of that part. Where a product is covered by parts only, the warranty covers both the repair of the defective part or the provision of a spare part in replacement. It does not include the removal of the defective part or the installations of the repaired or replaced part. We reserve the right to provide minor components (e.g. handles, aerators, hoses, dress rings and washers) as 'Parts Only' to the customer. Casa Lusso reserves the right to alter/ amend this warranty offer in writing at any time.

### FEATURES

**Premium Warranty (Domestic Use):**  
7 year Replacement products and parts<sup>1</sup>  
1 year parts & labour<sup>2</sup>

**Material:** Stainless Steel 304 Construction

WELS 6 Star, 4.5 litres per minute

**ALL INSTALLATIONS MUST COMPLY  
WITH AS/NZS3500**

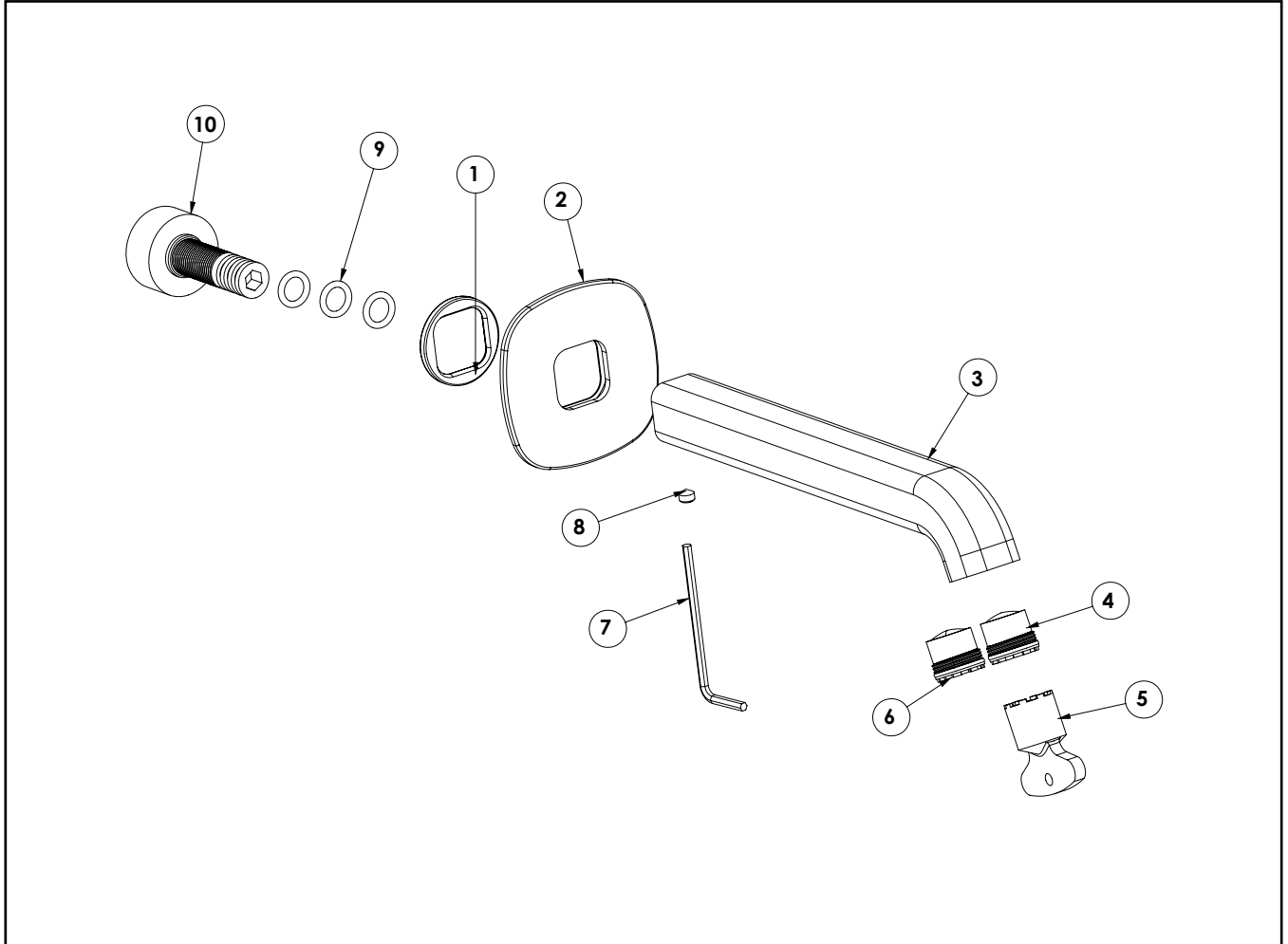
**This product complies with the requirements  
of Lead-Free standards as defined in the  
National Construction Code Volume 3 and  
is suitable for use as part of Lead-Free  
Installation.**

<sup>1</sup> Excludes Damage to ceramic disk cartridges from pieces of copper tube, plastic tube, sand, dirt or thread tube etc. All speciality finishes are subject to 2 year replacement product and parts and 1 year replacement product and parts & labour. <sup>2</sup> Jumper valves and ceramic disk spindles; 1 year parts only.

**FAILURE TO COMPLY WITH ANY OF THE ABOVE INSTRUCTIONS WILL VOID ALL WARRANTIES**

## SYMMETRY Wall Bath Spout - Installation Instructions

Product Code - SYM090-180 / SYM090-220



### CONTENTS

1	Square ring
2	Wall Flange
3	Spout
4	M16.5*1 laminar stream aerator with constant flow rate
5	M16.5 wrench
6	M16.5*1 unrestricted flow rate laminar stream aerator
7	2.5mm allen key
8	M5*4 screw
9	O ring 12*2
10	Spout Adapter

### IMPORTANT

#### IT IS IMPORTANT TO FLUSH OUT THE WATER PIPES BEFORE INSTALLING THE MIXER.

- Hot and cold water inlet pressures should be equal.
- Inlet pressure range: 150-500kPA
- Regulation: 500kPA maximum operating pressure at any outlet within a building. (Ref. AS/NZS 3500)
- Maximum hot water temperature: 80°C

**IT IS IMPORTANT TO FLUSH OUT THE WATER PIPES BEFORE INSTALLING THE MIXER**

**FAILURE TO COMPLY WITH ANY OF THE ABOVE INSTRUCTIONS WILL VOID ALL WARRANTIES**

## SYMMETRY Wall Bath Spout - Installation Instructions

Product Code - SYM090-180 / SYM090-220

### INSTALLATION

#### Step 1

##### Pre Tiling

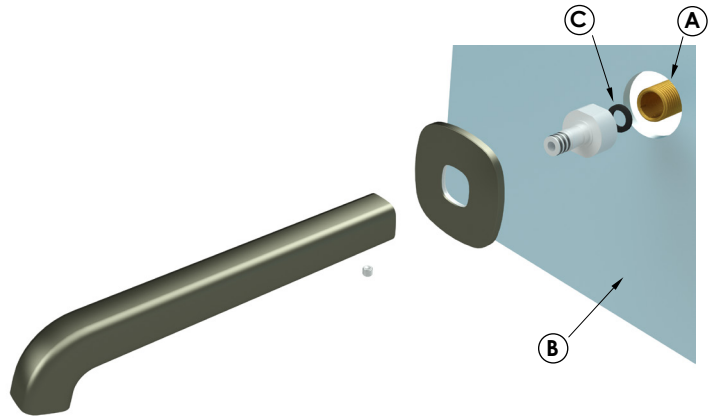
Cut 1/2 inch threaded pipe **(A)** on wall flush to waterproof sheet **(B)**.

##### Post Tiling

Cut 1/2 inch threaded pipe **(A)** on wall 6-8mm back from finished tile wall.

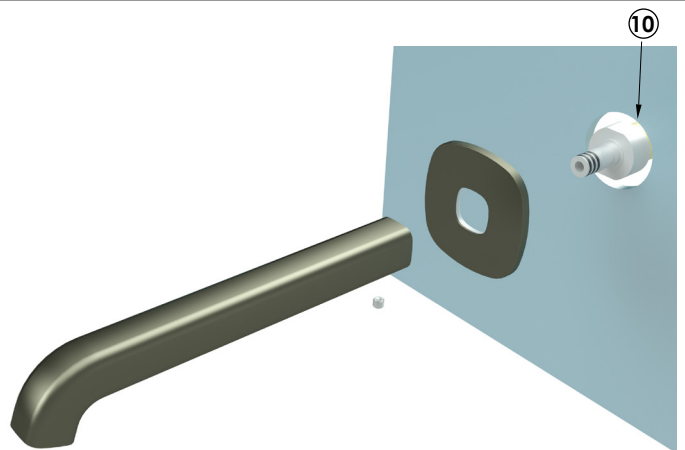
##### Note

- A nipple cutter may be required
- This tool will give a good finished surface for the rubber washer **(C)**



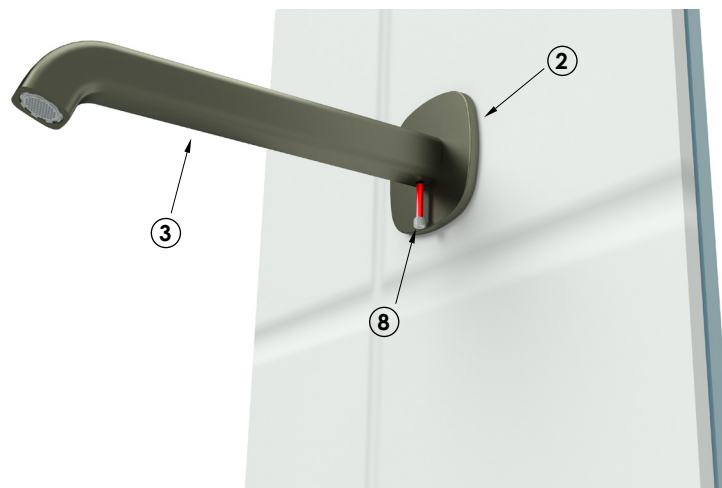
#### Step 2

Screw spout adapter **(10)**, to threaded pipe on wall. Make sure rubber washer **(C)** is in place.



#### Step 3

Install wall flange **(2)** and spout **(3)**. Tighten grub screw **(8)** located under the spout.



**FAILURE TO COMPLY WITH ANY OF THE ABOVE INSTRUCTIONS WILL VOID ALL WARRANTIES**