

SYMMETRY Quarter Turn Lever Hob Tap Set

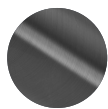
Installation Instructions Product Codes - SYM172-175-XX / SYM172-260-XX

CONGRATULATIONS ON THE PURCHASE OF YOUR NEW CASA LUSSO TAPWARE. WE HOPE YOU AND YOUR FAMILY ENJOY YOUR NEW PRODUCT AND CONSIDER US FOR ANY FUTURE PROJECT. CASA LUSSO PRODUCTS HAVE BEEN MANUFACTURED UNDER THE HIGHEST STANDARDS OF QUALITY AND WORKMANSHIP.

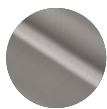


SYM172-175 - Quarter Turn Lever Hob Tap Set 175mm

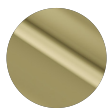
SYM172-260 - Quarter Turn Lever Hob Tap Set 260mm



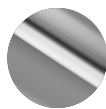
Gunmetal



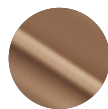
Brushed Nickel



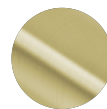
Champagne Gold



Polished Stainless Steel



Titanium Bronze



Brushed Champagne Gold



WARRANTY

GENERAL INFORMATION

MAINTENANCE

- Clean regularly using mild soap and dry with a soft cloth.
- Do not use abrasive cleaners, harsh detergents or citrus based cleaners on any products as these will scratch the surface.
- Tightening or adjustment of Tapware over time is considered general maintenance.
- Failure to clean/replace aerators/flow restrictors as required will void warranty.
- Damage to finishes that arise from installation or post installation will void warranty.

The warranty will not apply if:

- The product has been damaged by improper use;
- The product has not been used in accordance with any applicable instruction guide;
- The purchaser has attempted to modify or repair the product;
- The purchaser has failed to observe the cleaning and maintenance guidelines;
- The product is not installed by a licenced Plumber.
- Flow controllers/ aerators not regularly cleaned/ replaced.

Product warranties are personal to the person who acquires the product for their own consumption or use and not for resale or resupply. Claims with this product cannot be made by anyone other than the consumer. Where a product is covered by parts and labour warranty, the warranty covers both the repair of the defective part or the provision of a spare part to replace the defective part and the installation of that part. Where a product is covered by parts only, the warranty covers both the repair of the defective part or the provision of a spare part in replacement. It does not include the removal of the defective part or the installations of the repaired or replaced part. We reserve the right to provide minor components (e.g. handles, aerators, hoses, dress rings and washers) as 'Parts Only' to the customer. Casa Lusso reserves the right to alter/ amend this warranty offer in writing at any time.

FEATURES

Premium Warranty (Domestic Use):

7 year Replacement products and parts¹
1 year parts & labour²

Material: Stainless Steel 304 Construction

WELS 6 Star, 4.5 litres per minute

ALL INSTALLATIONS MUST COMPLY WITH AS/NZS3500

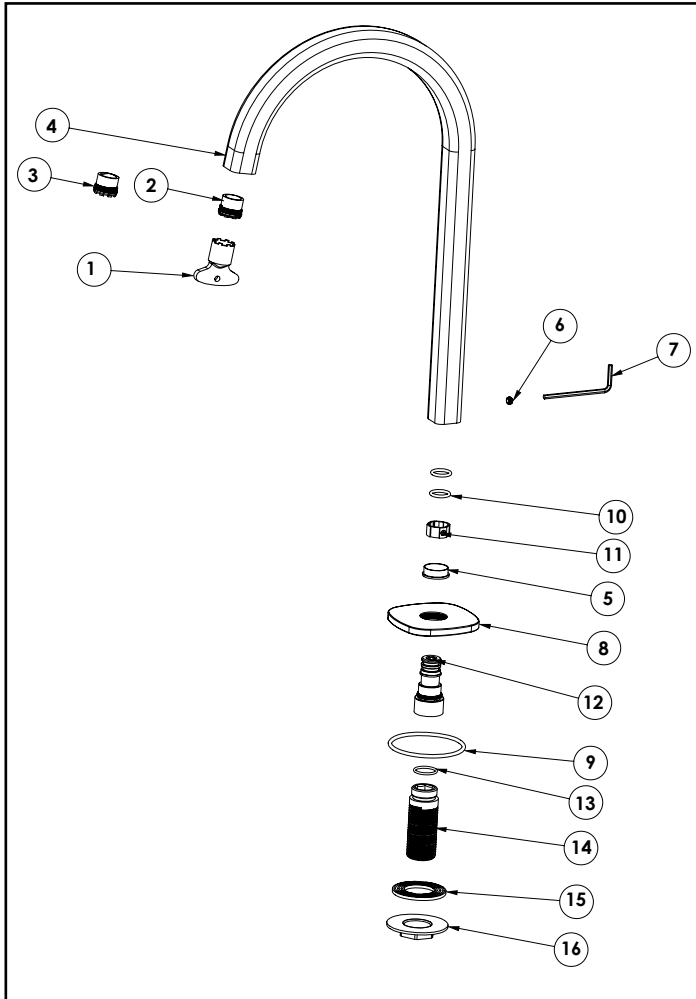
This product complies with the requirements of Lead-Free standards as defined in the National Construction Code Volume 3 and is suitable for use as part of Lead-Free Installation.

¹ Excludes Damage to ceramic disk cartridges from pieces of copper tube, plastic tube, sand, dirt or thread tube etc. All speciality finishes are subject to 2 year replacement product and parts and 1 year replacement product and parts & labour. ² Jumper valves and ceramic disk spindles; 1 year parts only.

FAILURE TO COMPLY WITH ANY OF THE ABOVE INSTRUCTIONS WILL VOID ALL WARRANTIES

SYMMETRY Quarter Turn Lever Hob Tap Set

Installation Instructions Product Codes - SYM172-175-XX / SYM172-260-XX



CONTENTS

1	Wrench
2	M16.5*1 laminar stream aerator with constant flow rate
3	M16.5*1 unrestricted flow rate laminar stream aerator
4	Spout
5	19*17.2*16*6H sleeve
6	Mr*3 screw
7	2.5mm allen key
8	Base
9	O ring 55*2.5
10	O ring 15*2
11	Jump ring 16.5*13*7.6
12	Joint
13	O ring 17*1.5
14	1/2 joint
15	G1/2 gasket
16	1/2 lock nut

IMPORTANT

IT IS IMPORTANT TO FLUSH OUT THE WATER PIPES BEFORE INSTALLING THE MIXER.

- Hot and cold water inlet pressures should be equal.
- Inlet pressure range: 150-500kPA
- Regulation: 500kPA maximum operating pressure at any outlet within a building. (Ref. AS/NZS 3500)
- Maximum hot water temperature: 80°C

INSTALLATION

1. Install spout into suitable hole 20-25mm.

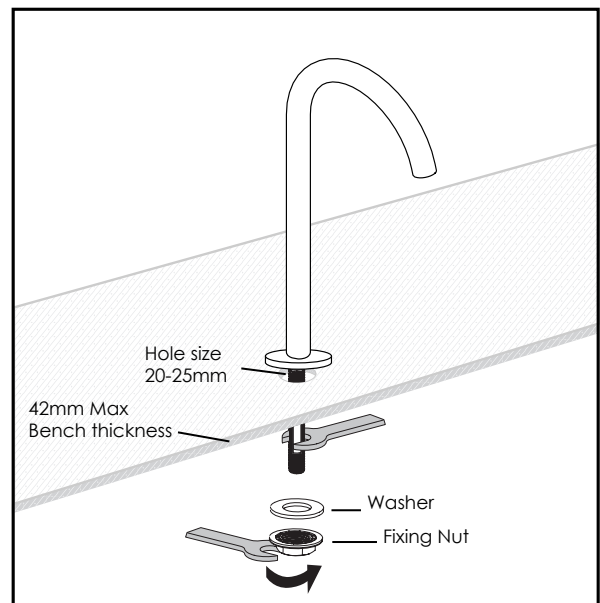
IT IS IMPORTANT TO FLUSH OUT THE WATER PIPES BEFORE INSTALLING THE MIXER

2. Tighten using a spanner on the flattened section of the thread and a spanner on the fixing nut.

3. If this spout is being used in conjunction with a Casa Lusso Hob mixer, all Flexi tails should be hand tightened to appropriate mixer first with the third 'outlet hose' being tightened to this spout outlet last.

4. Male ends to the mixer body should be hand tightened only, the 'outlet hose' connected to the Spout outlet should be hand tightened and finally just one x 1/4 turn tighten with appropriate spanner.

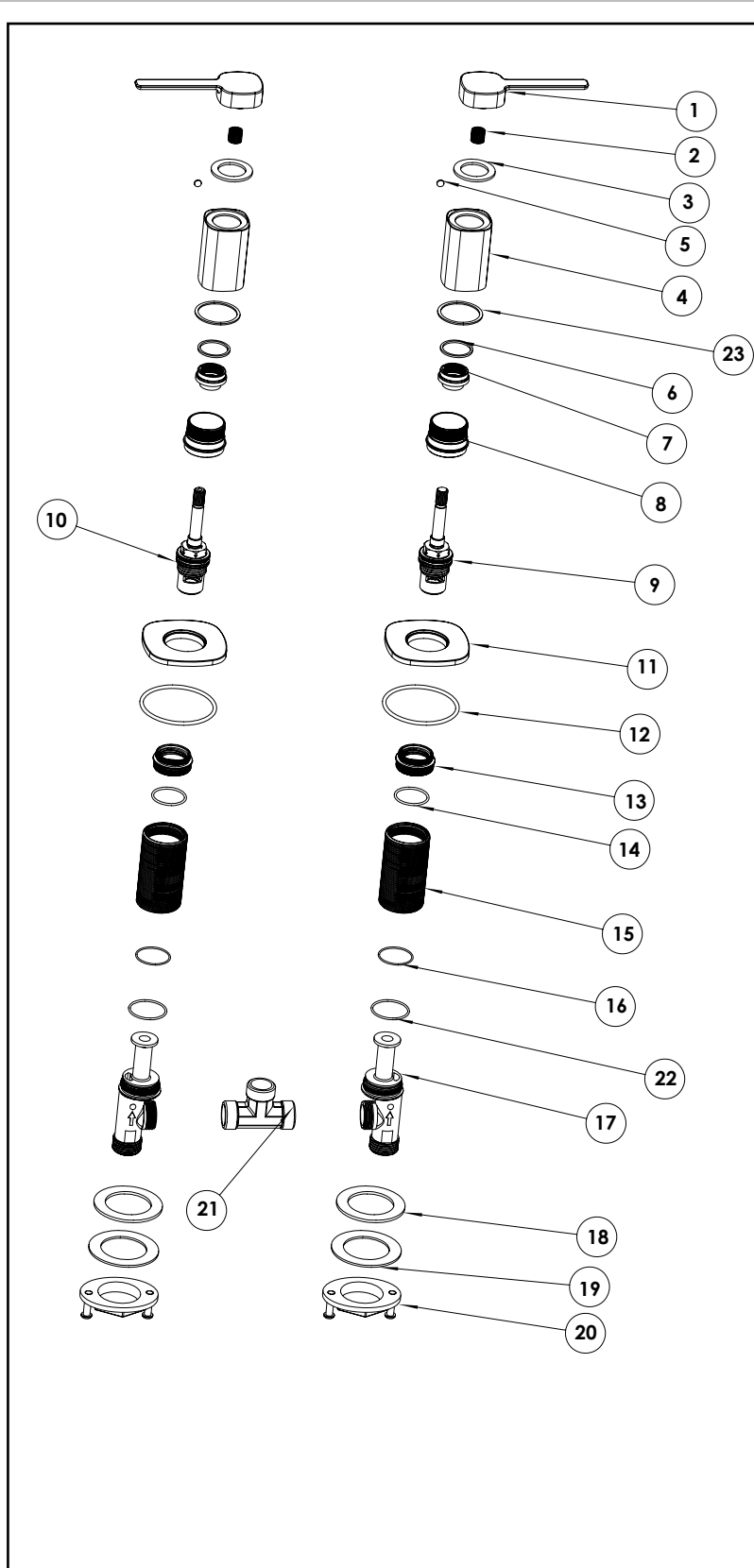
5. Ensure there are no Kinks in hoses after final tightening. Alternatively, a T-piece can be inserted inside the spout



FAILURE TO COMPLY WITH ANY OF THE ABOVE INSTRUCTIONS WILL VOID ALL WARRANTIES

SYMMETRY Quarter Turn Lever Hob Tap Set

Installation Instructions Product Codes - SYM172-175-XX / SYM172-260-XX



CONTENTS

1	Handle
2	9.5 x 7.8 x 4 cartridge sleeve
3	Wearing ring 29.6 x 20 x 1.7
4	8050372 Sleeve
5	M5x3 screw
6	Wearing ring 23 x 20 x 1.3
7	M16 joint
8	M27 joint
9	80mm height cartridge (anticlockwise)
10	80mm height cartridge (clockwise)
11	Base
12	O ring 55 x 2.5
13	Joint
14	O ring 25 x 1.5
15	Shank
16	O ring 25 x 1
17	Body
18	Gasket
19	Gasket
20	M32 x 1.5 lock nut
21	Joint
22	O ring 27.5 x 1.3
23	Wearing ring 32.2 x 28 x 1

IMPORTANT

IT IS IMPORTANT TO FLUSH OUT THE WATER PIPES BEFORE INSTALLING THE MIXER.

- Hot and cold water inlet pressures should be equal.
- Inlet pressure range: 150-500kPA
- Regulation: 500kPA maximum operating pressure at any outlet within a building. (Ref. AS/NZS 3500)
- Maximum hot water temperature: 80°C

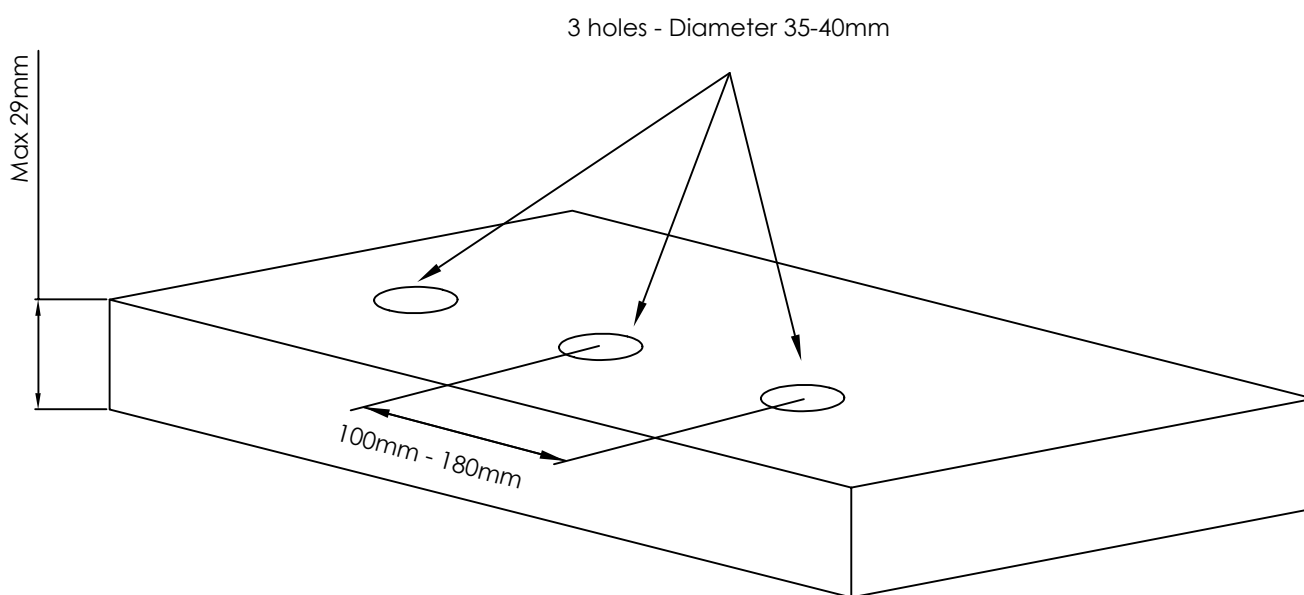
FAILURE TO COMPLY WITH ANY OF THE ABOVE INSTRUCTIONS WILL VOID ALL WARRANTIES

SYMMETRY Quarter Turn Lever Hob Tap Set

Installation Instructions Product Codes - SYM172-175-XX / SYM172-260-XX

INSTALLATION

1. Drill holes in benchtop.

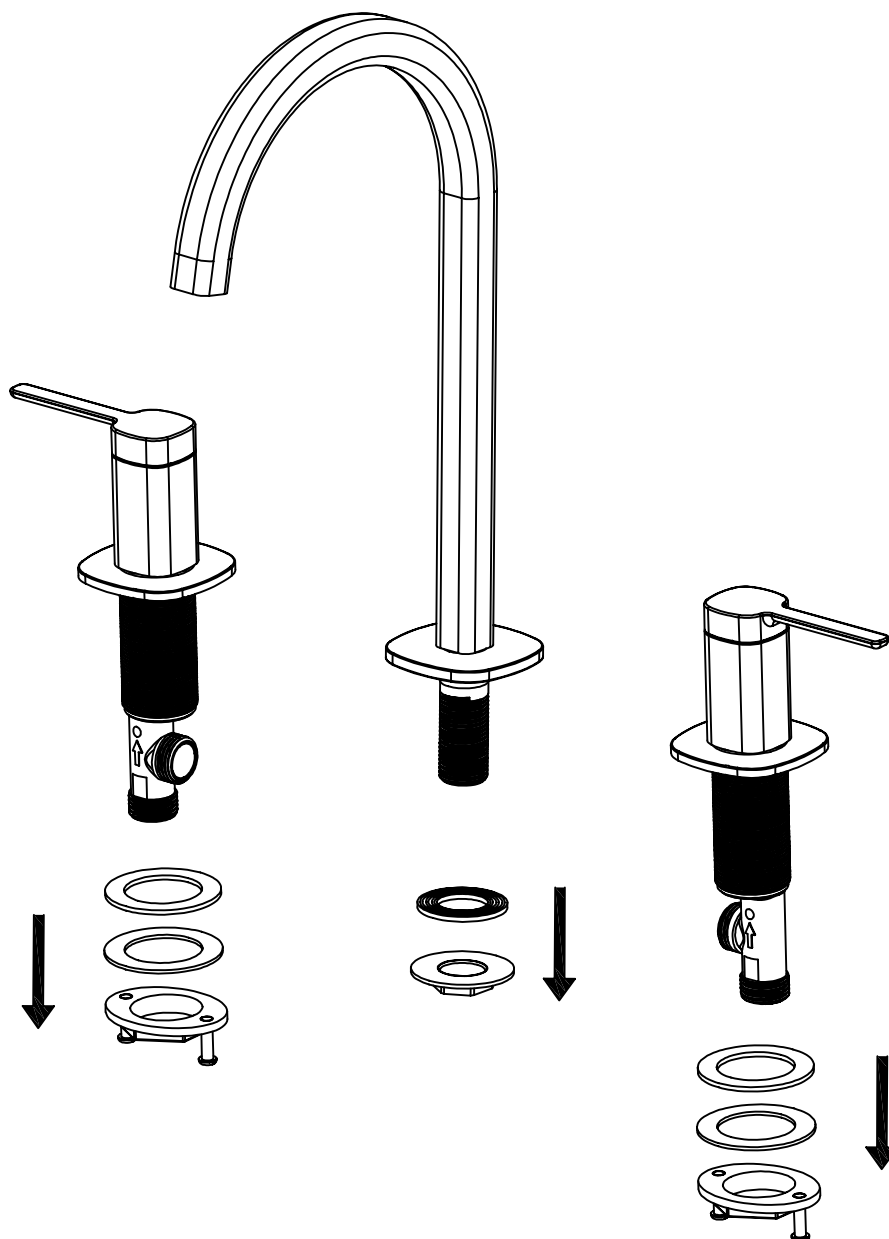


FAILURE TO COMPLY WITH ANY OF THE ABOVE INSTRUCTIONS WILL VOID ALL WARRANTIES

SYMMETRY Quarter Turn Lever Hob Tap Set

Installation Instructions Product Codes - SYM172-175-XX / SYM172-260-XX

2. Remove nuts and washers.

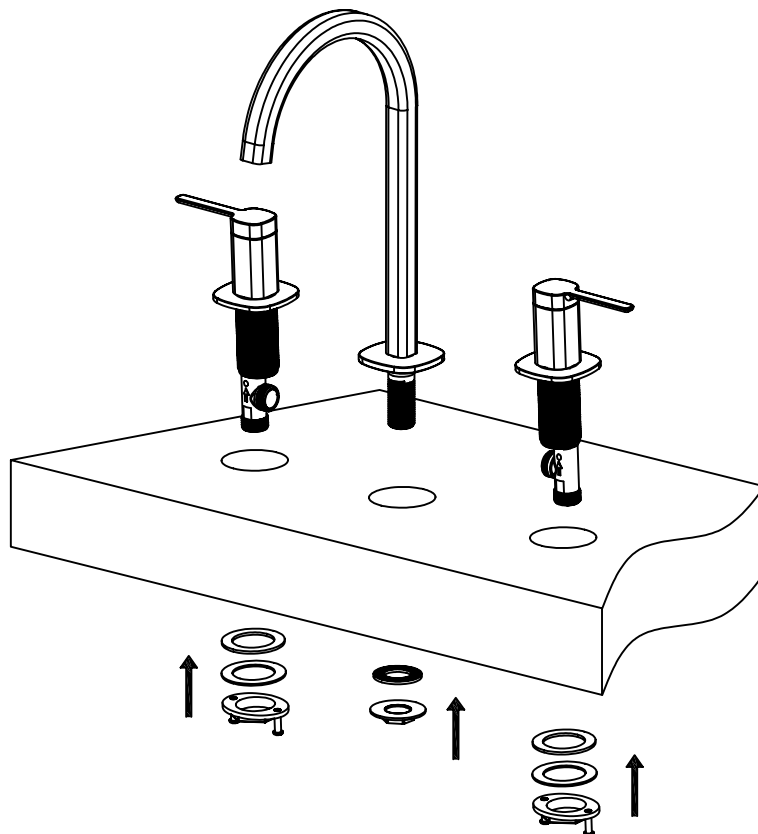


FAILURE TO COMPLY WITH ANY OF THE ABOVE INSTRUCTIONS WILL VOID ALL WARRANTIES

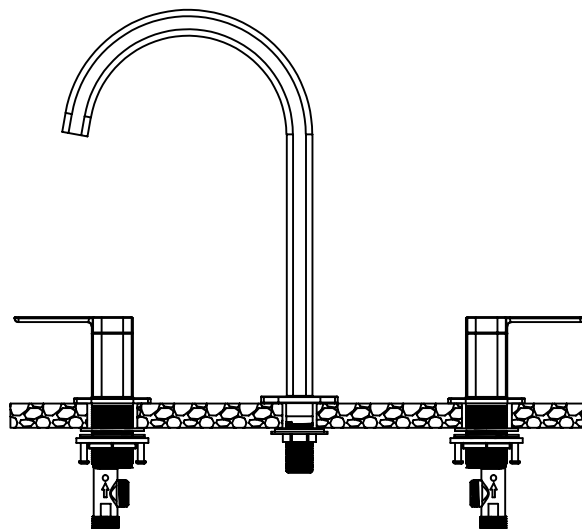
SYMMETRY Quarter Turn Lever Hob Tap Set

Installation Instructions Product Codes - SYM172-175-XX / SYM172-260-XX

3. Install tap handles and spout from above bench. Install rubber washer, metal washer then nuts from under bench.



Check handle alignment from top of benchtop.

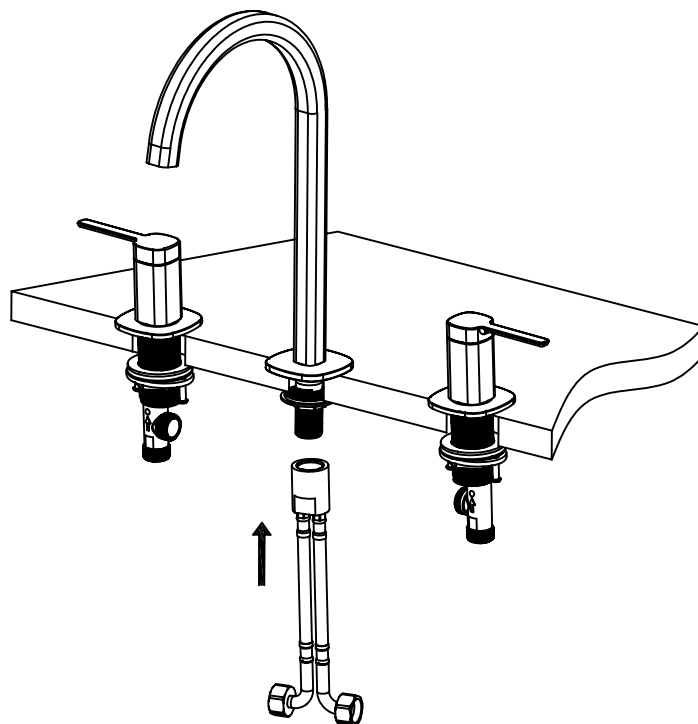


FAILURE TO COMPLY WITH ANY OF THE ABOVE INSTRUCTIONS WILL VOID ALL WARRANTIES

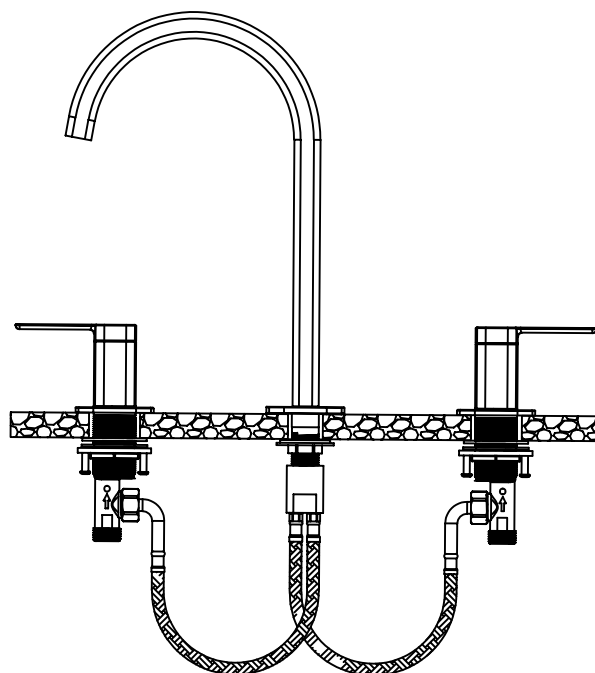
SYMMETRY Quarter Turn Lever Hob Tap Set

Installation Instructions Product Codes - SYM172-175-XX / SYM172-260-XX

4. Connect breech to spout.



Connect flex tail ends to Hot and Cold tap outlets.



FAILURE TO COMPLY WITH ANY OF THE ABOVE INSTRUCTIONS WILL VOID ALL WARRANTIES