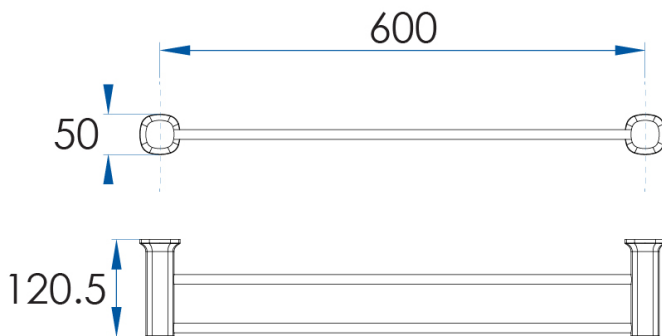
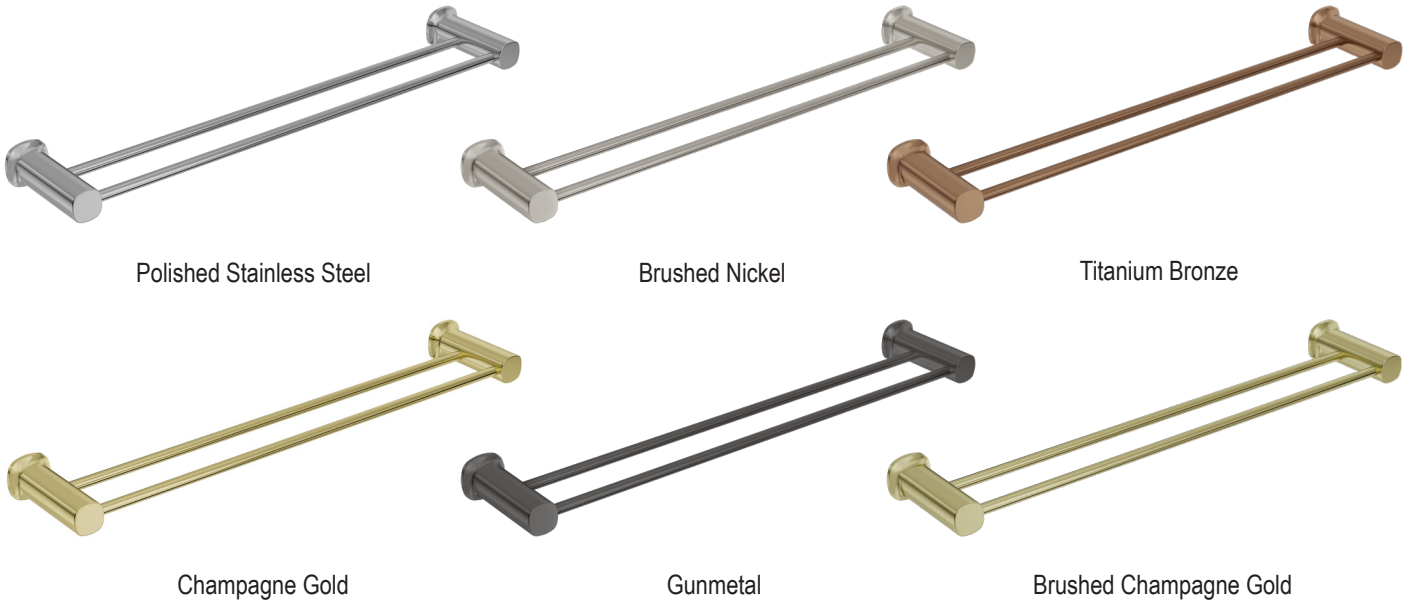


SYMMETRY

Double Towel Rail 600mm

7
YEAR
WARRANTY



CODE	FINISH
SYM613-600-PS	Polished Stainless Steel
SYM613-600-BN	Brushed Nickel
SYM613-600-CG	Champagne Gold
SYM613-600-GM	Gunmetal
SYM613-600-TB	Titanium Bronze
SYM613-600-BG	Brushed Champagne Gold

SPECIFICATIONS

Material	304 Stainless Steel
Includes	Double Towel Rail, Concealed Fixing Kit, Allen Key
Warranty	7 year replacement product and parts

CASA LUSSO

Due to our policy of continuous development, all designs and measurements are intended only as a guide and are subject to change without notice. Being hand made products they are subject to a size variance E&OE. This brochure is representative of the actual products at time of printing. Please confirm all particulars before purchase. Casa Lusso recommends having the product on site before commencing rough in.

Available at

hb Highgrove Bathrooms
www.highgrovebathrooms.com.au