

Wall Hung Vanity Installation Instructions

CONGRATULATIONS ON THE PURCHASE OF YOUR NEW CASA LUSSO VANITY. WE HOPE YOU AND YOUR FAMILY ENJOY YOUR NEW PRODUCT AND CONSIDER US FOR ANY FUTURE PROJECTS. CASA LUSSO PRODUCTS HAVE BEEN MANUFACTURED UNDER THE HIGHEST STANDARDS OF QUALITY AND WORKMANSHIP.

GENERAL INFORMATION

The warranty will not apply if:

- The product has been damaged by improper use;
- The product has not been used in accordance with any applicable instruction guide;
- The purchaser has attempted to modify or repair the product;
- The purchaser has failed to observe the cleaning and maintenance guidelines;

Important:

- Take Care While Transporting and Handling Goods.
- This product should be installed by a qualified, licensed Tradesperson.

To tradesperson: Please ensure a copy of the installation instructions is left with the end user for future reference.

FEATURES

Installation: Wall Mount

Premium Warranty (Domestic Use) :
5 year replacement product and parts:
1 year labour

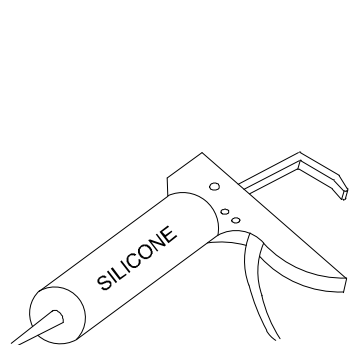


PRIOR TO INSTALLATION

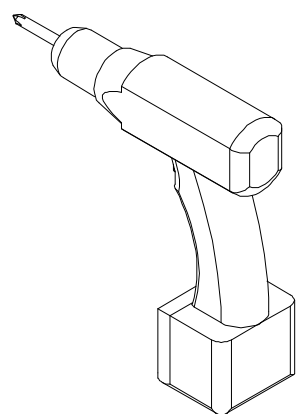
Ensure the vanity unit is inspected fully prior to installation. If damage has occurred, or a visible defect exists, do not proceed with installation and advise supplier immediately. Warranty will be void if product is installed.

INSTALLATION

Required Tools for Installation



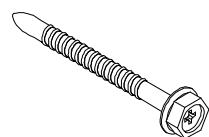
Silicone



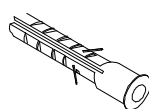
Electric Drill

Temporary Supports to use whilst installing Vanity such as a sturdy crate or a box

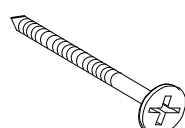
Parts Included



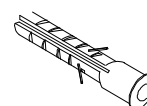
A (Ø8x70mm)



B (Ø10X50mm)



C (Ø4.5X60mm)

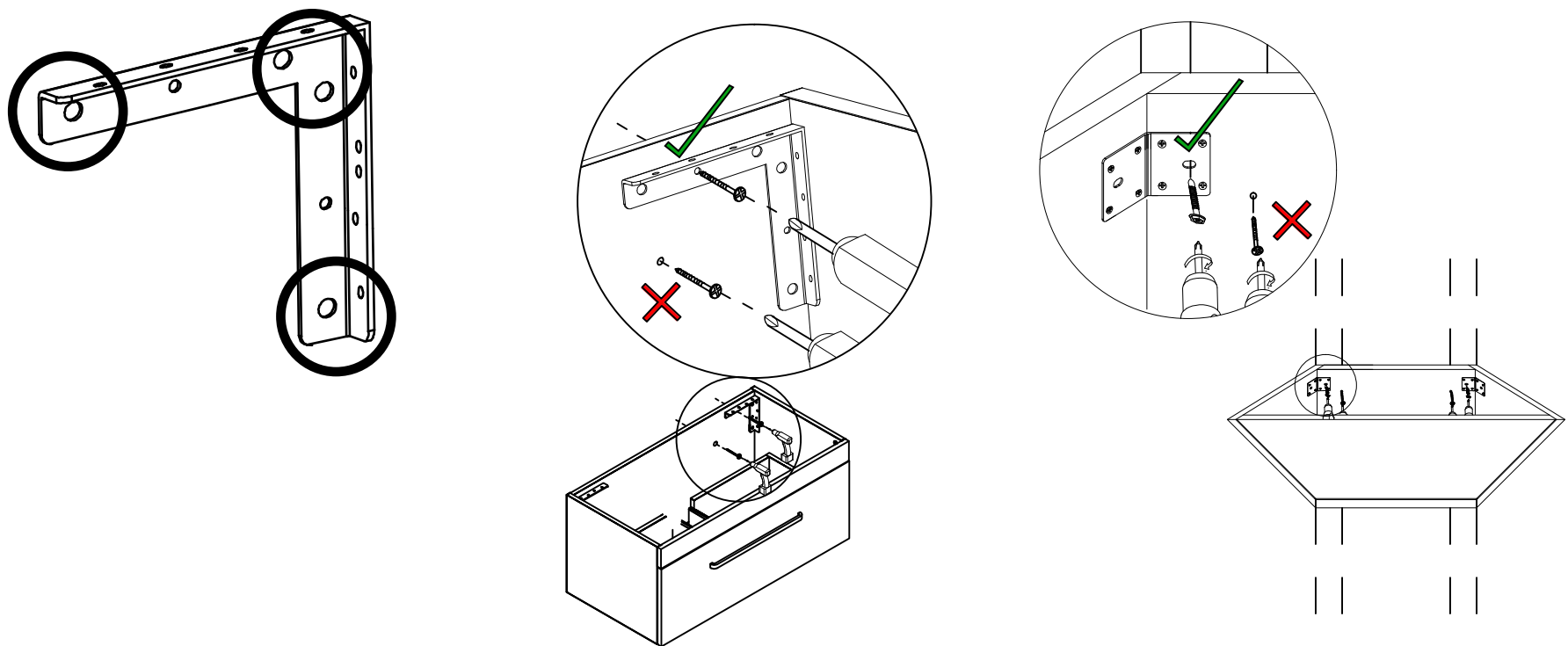


D (Ø8X40mm)

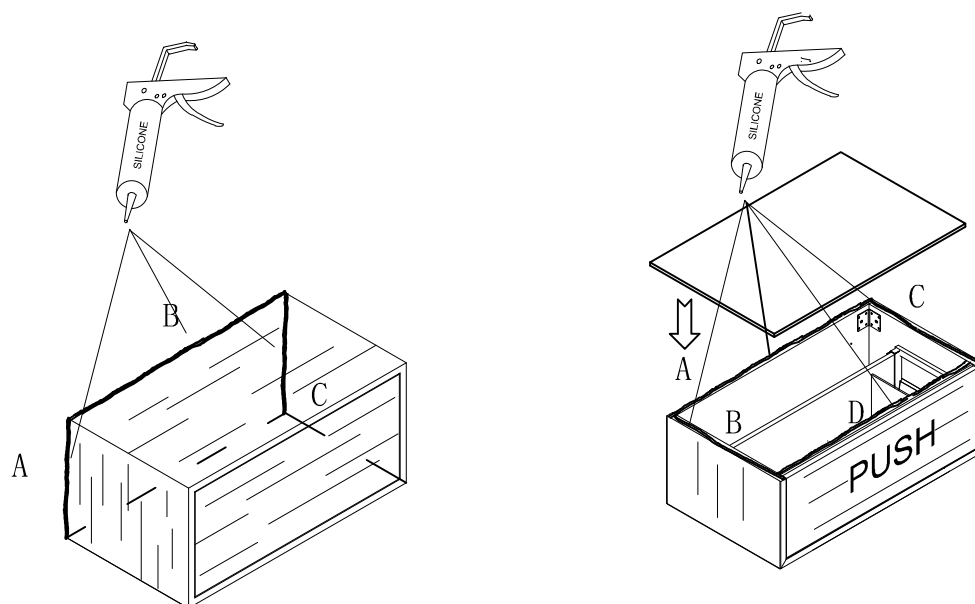
FAILURE TO COMPLY WITH ANY OF THE ABOVE INSTRUCTIONS WILL VOID ALL WARRANTIES

Wall Hung Vanity Installation Instructions

- Use temporary supports underneath your cabinet to ensure the vanity unit is level.
- Check the vanity is plumb to the wall, use packers if required.
- Using the L Bracket, align the bracket with wall studs or wall noggings.



- Screw through the larger holes top, bottom and corner of the L Bracket and ensure they are securely installed into the wall studs or wall noggings. Repeat this process on both sides of the vanity (left and right) and both L Brackets.
- Install an additional two screws into wall studs or noggings near the bottom of the back of the vanity.



- When a separate top is to be installed, please ensure a bead of antifungal, non- acidic silicone is applied to the top edges of both the front and either side panel of the cabinet prior to the installation of the top.
- Wipe off excess silicone at the time of silicone application.
- Upon installation of a separate top install a bead of silicone between the rear of the top and the wall.
- Remove excess silicone at the time of installation.
- Vanities with a pre fixed top also require silicon to be applied as detailed above.

NOTE - If you have purchased a floor mounted vanity and elect to install it minus the floor mounted kick panel it will be necessary to obtain and install L shaped brackets.

These brackets are to be installed in the top left and right corner of the vanity back to provide support to the side walls.

FAILURE TO COMPLY WITH ANY OF THE ABOVE INSTRUCTIONS WILL VOID ALL WARRANTIES